

8

7

6

5

4

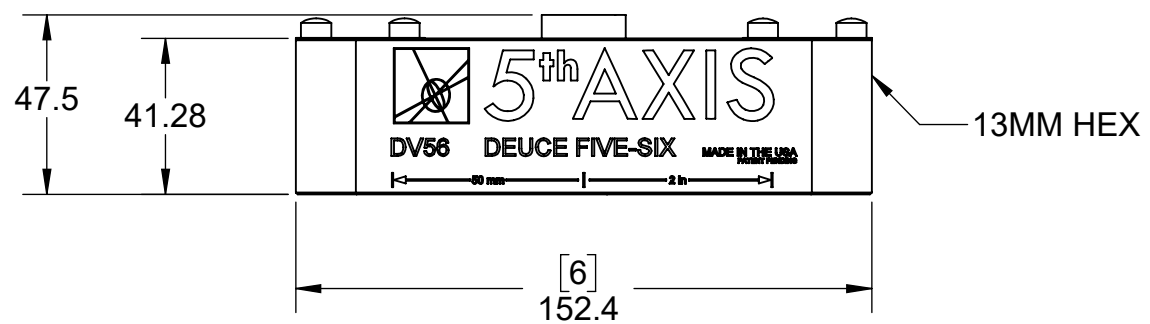
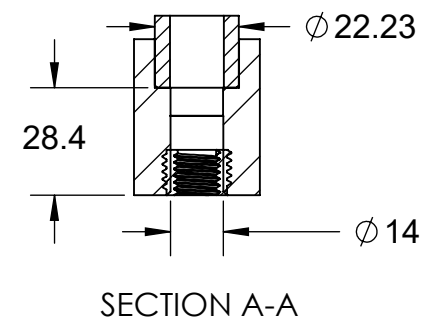
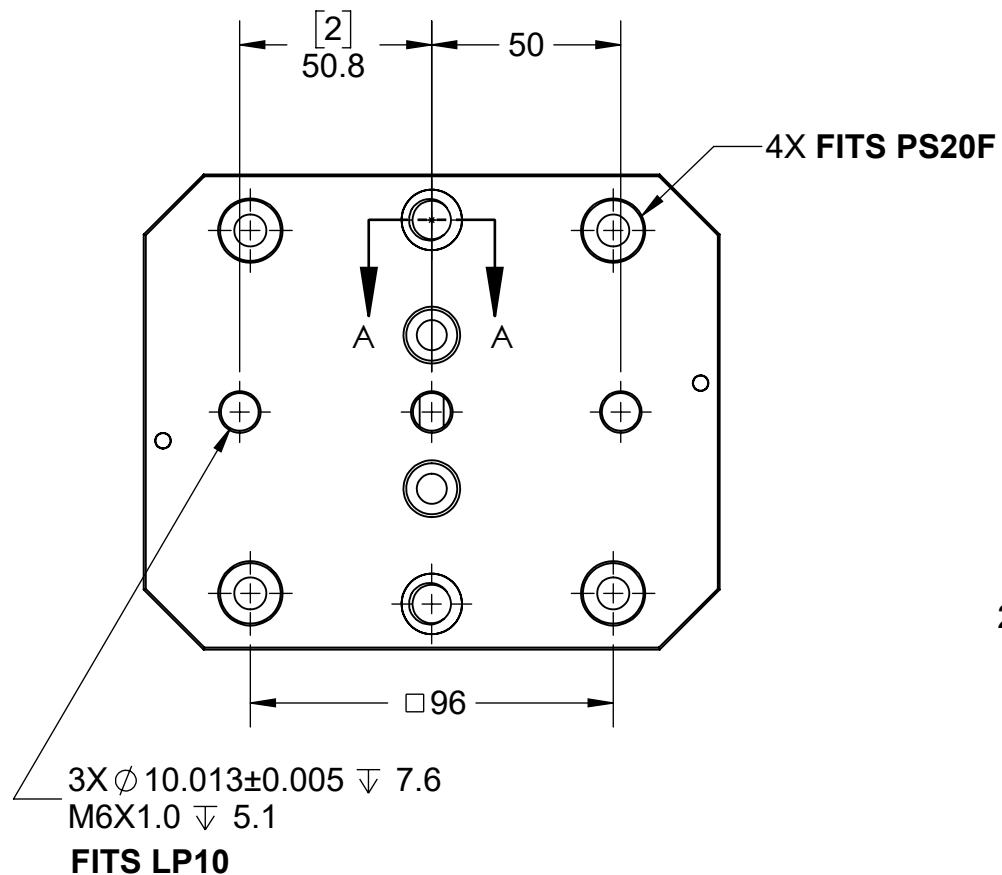
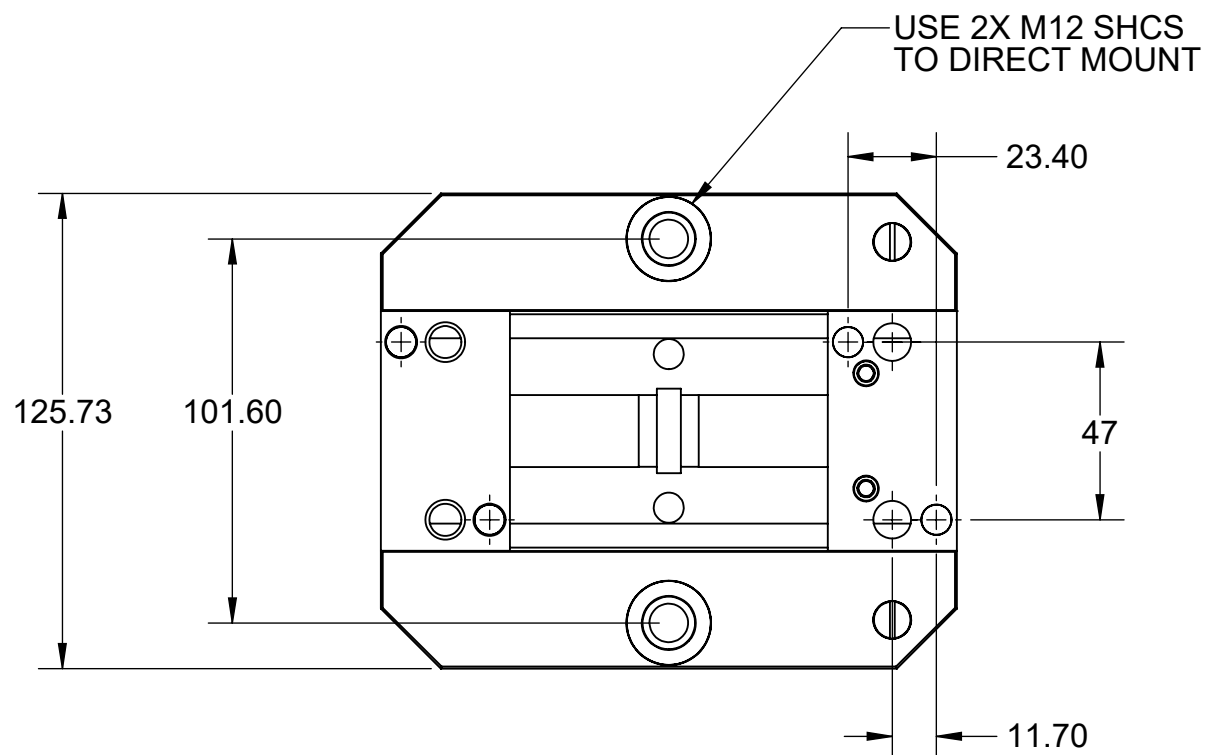
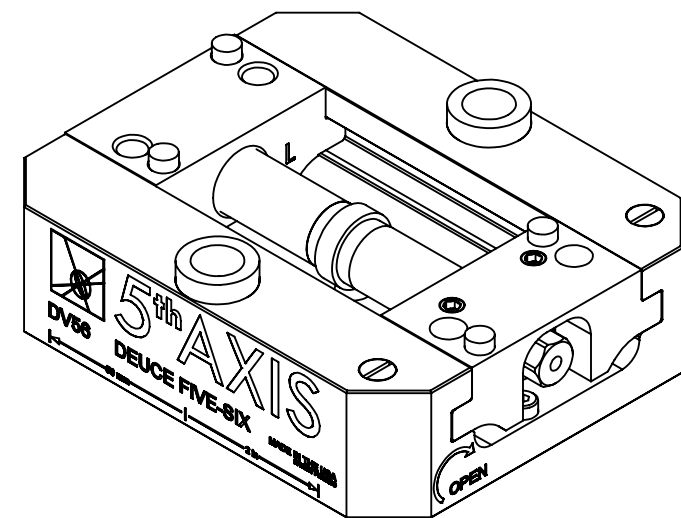
3


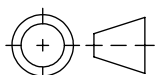
2

1

TECHNICAL DATA	DV56
JAW WIDTH	-
BASE LENGTH	152.4mm
MAXIMUM TORQUE (JAW BOLT)	47 Nm
CLAMPING FORCE	25 kN @ 75 Nm
MAXIMUM TORQUE (LEADSCREW)	75 Nm
MAXIMUM TORQUE (MOUNTING BOLT)	47 Nm
SELF-CENTERING ACCURACY	± 12.7 μm

DV56



MILLIMETER WWW.5THAXIS.COM 7140 ENGINEER ROAD SAN DIEGO, CA 92111 P (858) 505-0432			
	DESCRIPTION MEDIUM DOUBLE STATION VISE NO JAWS		
THIRD ANGLE PROJECTION 	SIZE B	PART NO. DV56	REV B
DO NOT SCALE DRAWING		SCALE 1:2	WEIGHT:
SHEET 1 OF 3			

8

7

6

5

4

3

2

1

D

D

C

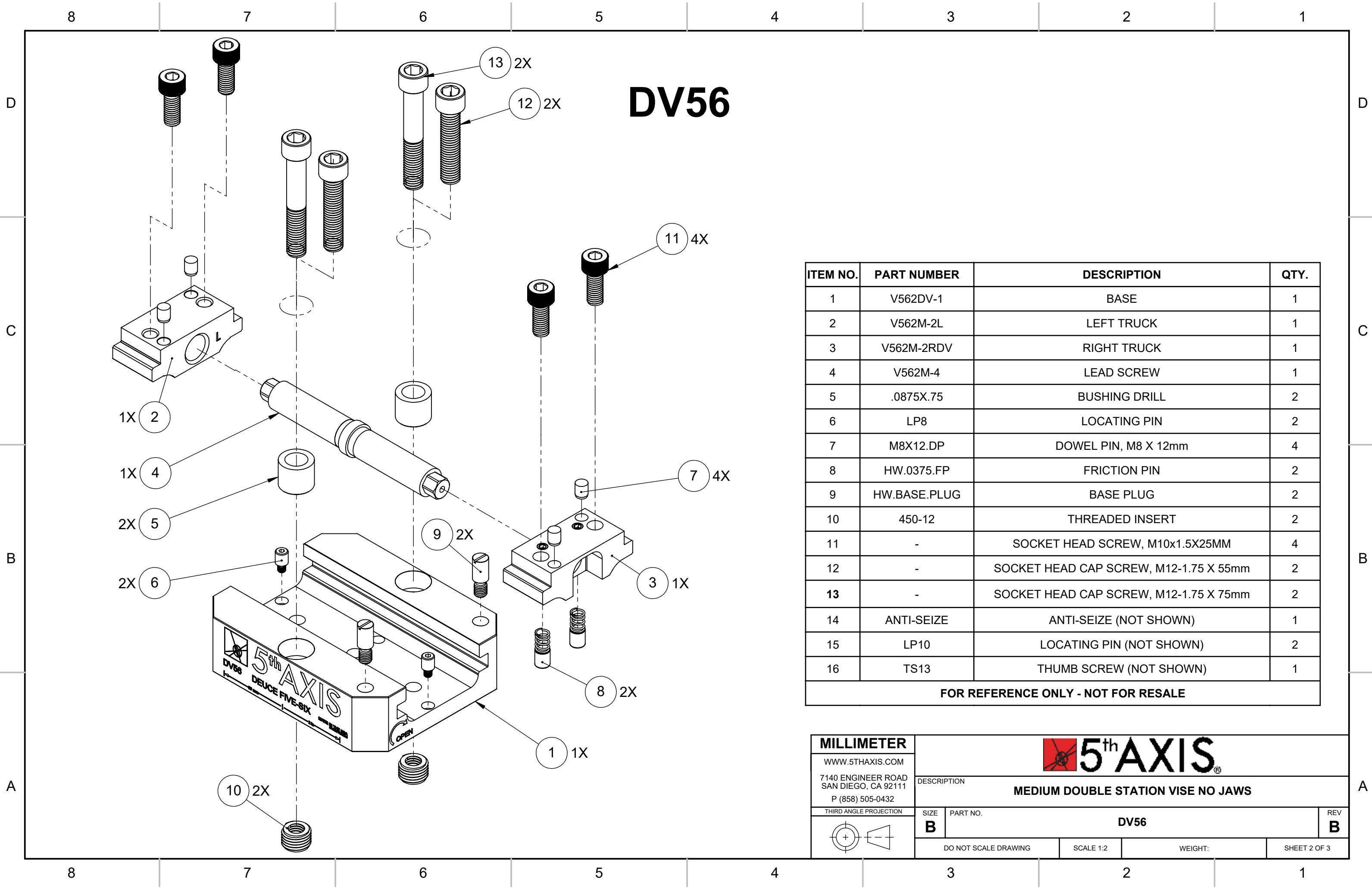
C

B

B

A

A



DV56

ITEM NO.	PART NUMBER	DESCRIPTION	QTY.
1	V562DV-1	BASE	1
2	V562M-2L	LEFT TRUCK	1
3	V562M-2RDV	RIGHT TRUCK	1
4	V562M-4	LEAD SCREW	1
5	.0875X.75	BUSHING DRILL	2
6	LP8	LOCATING PIN	2
7	M8X12.DP	DOWEL PIN, M8 X 12mm	4
8	HW.0375.FP	FRICITION PIN	2
9	HW.BASE.PLUG	BASE PLUG	2
10	450-12	THREADED INSERT	2
11	-	SOCKET HEAD SCREW, M10x1.5X25MM	4
12	-	SOCKET HEAD CAP SCREW, M12-1.75 X 55mm	2
13	-	SOCKET HEAD CAP SCREW, M12-1.75 X 75mm	2
14	ANTI-SEIZE	ANTI-SEIZE (NOT SHOWN)	1
15	LP10	LOCATING PIN (NOT SHOWN)	2
16	TS13	THUMB SCREW (NOT SHOWN)	1

FOR REFERENCE ONLY - NOT FOR RESALE

MILLIMETER

WWW.5THAXIS.COM
 7140 ENGINEER ROAD
 SAN DIEGO, CA 92111
 P (858) 505-0432



DESCRIPTION
MEDIUM DOUBLE STATION VISE NO JAWS

THIRD ANGLE PROJECTION

SIZE

PART NO.

B

DV56

REV

B

DO NOT SCALE DRAWING

SCALE 1:2

WEIGHT:

SHEET 2 OF 3

8

7

6

5

4

3

2

1

D

D

DV56

C

C

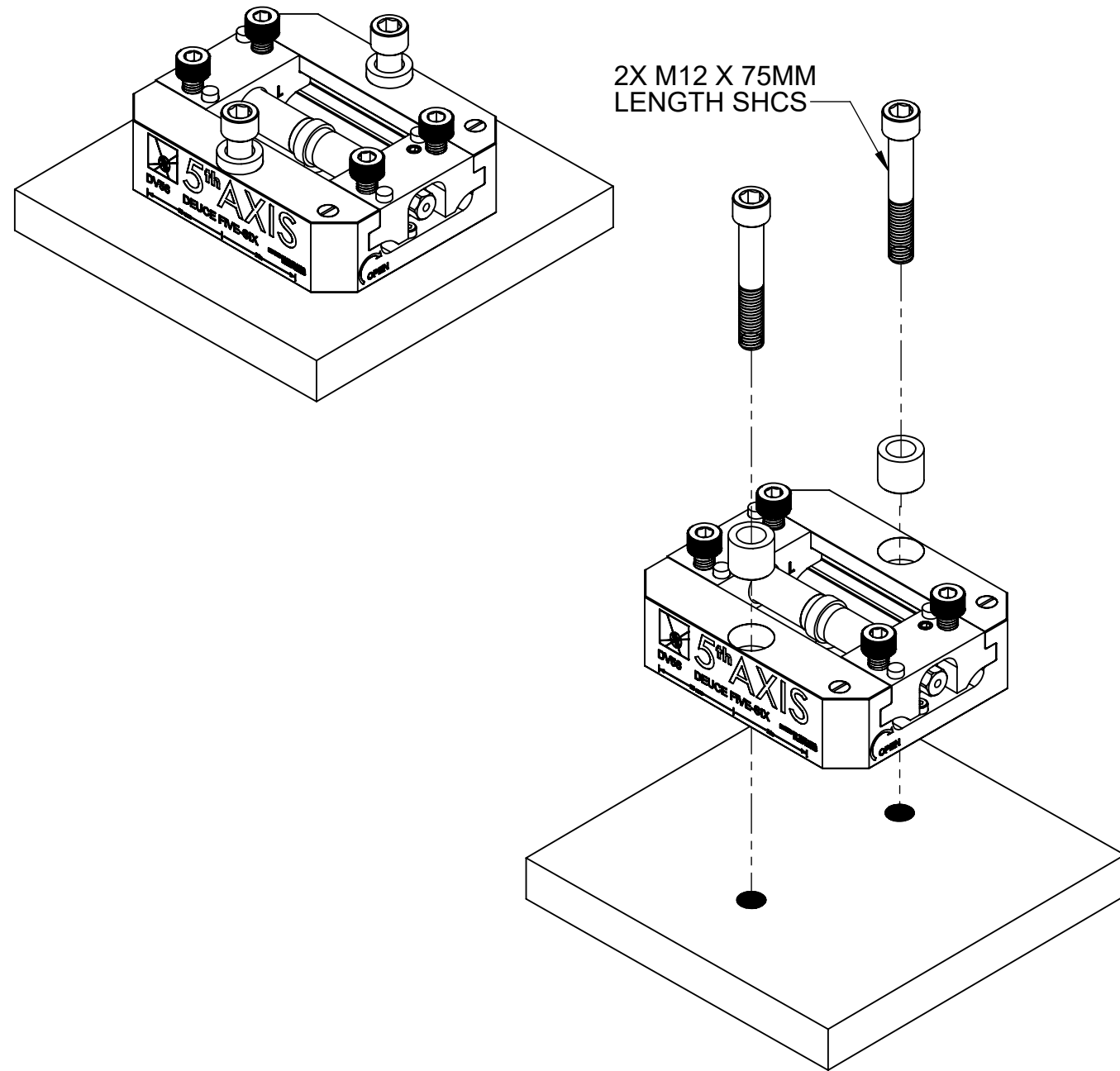
B

B

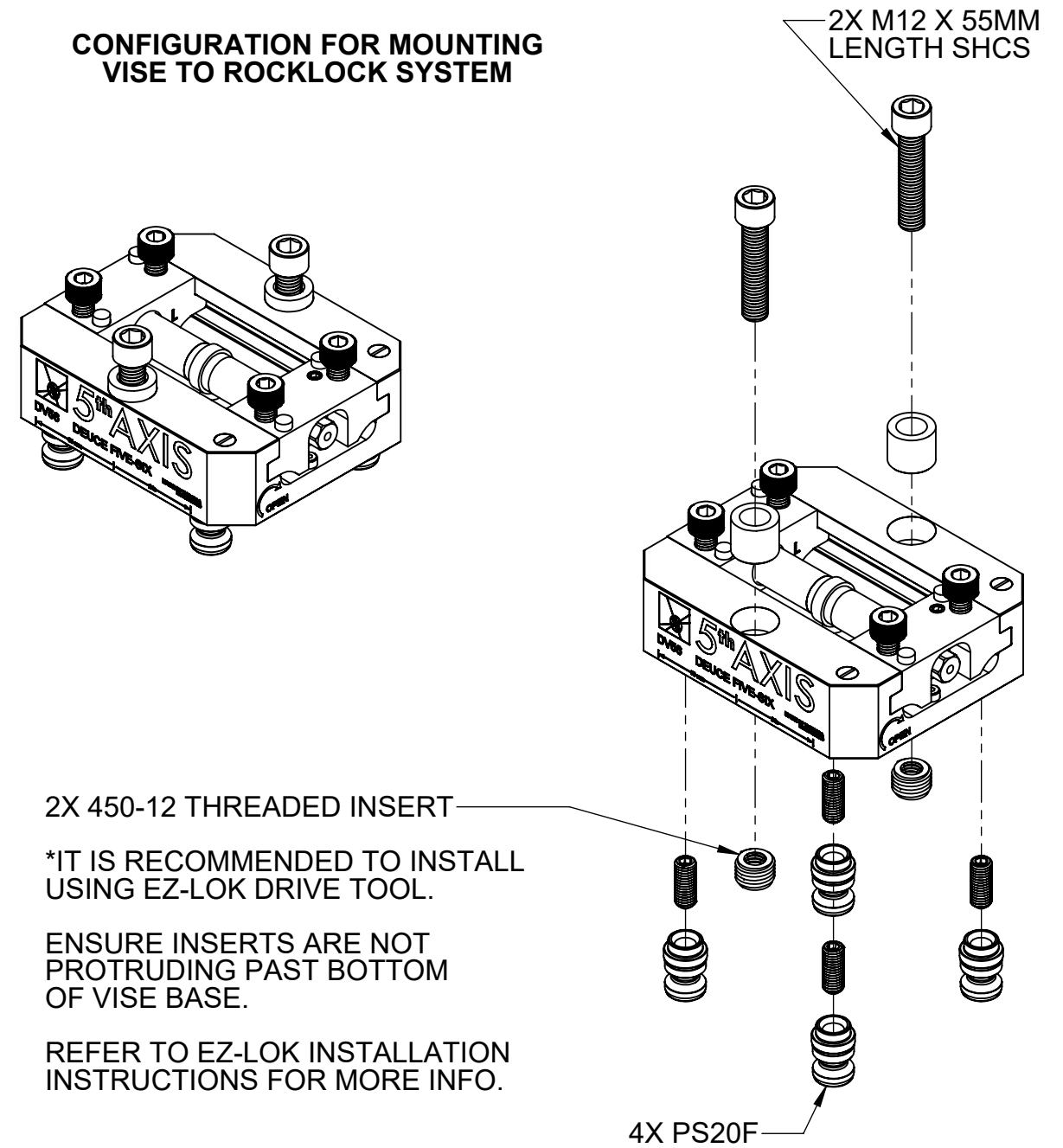
A


A

CONFIGURATION FOR MOUNTING VISE TO TABLE



CONFIGURATION FOR MOUNTING VISE TO ROCKLOCK SYSTEM



MILLIMETER				
WWW.5THAXIS.COM 7140 ENGINEER ROAD SAN DIEGO, CA 92111 P (858) 505-0432				
THIRD ANGLE PROJECTION		DESCRIPTION	MEDIUM DOUBLE STATION VISE NO JAWS	
SIZE	PART NO.	REV		
B	DV56	B		
DO NOT SCALE DRAWING		SCALE 1:2	WEIGHT:	SHEET 3 OF 3

8

7

6

5

4

3

2

1