

8

7

6

5

4

3

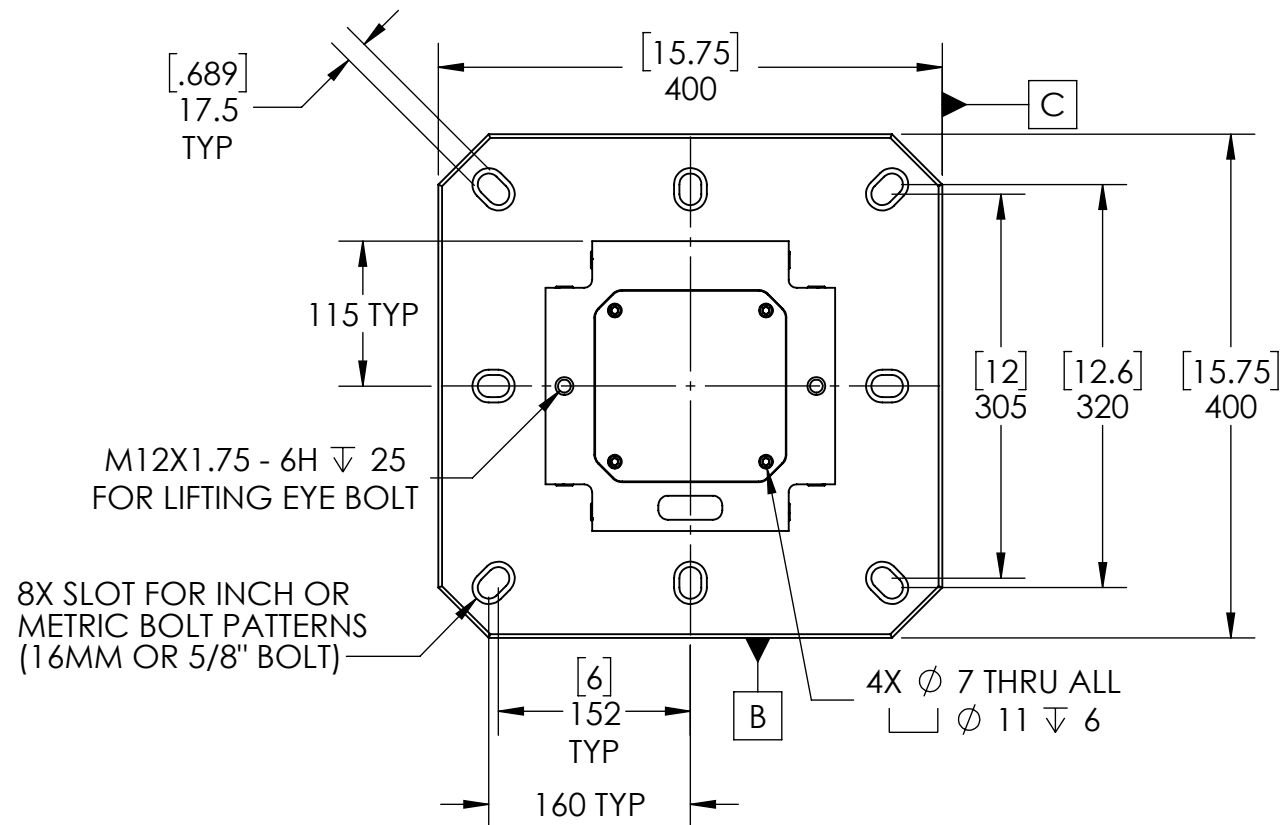
2

1

**MATERIAL:**  
BASE - A36 STEEL  
TOWER - CAST IRON

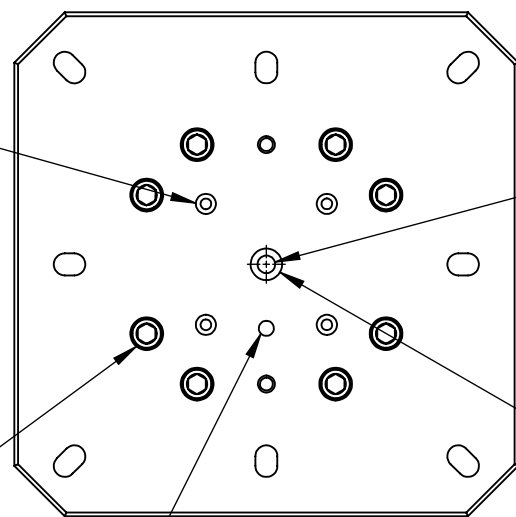
# RL96S-4004U-638

**TOP VIEW**

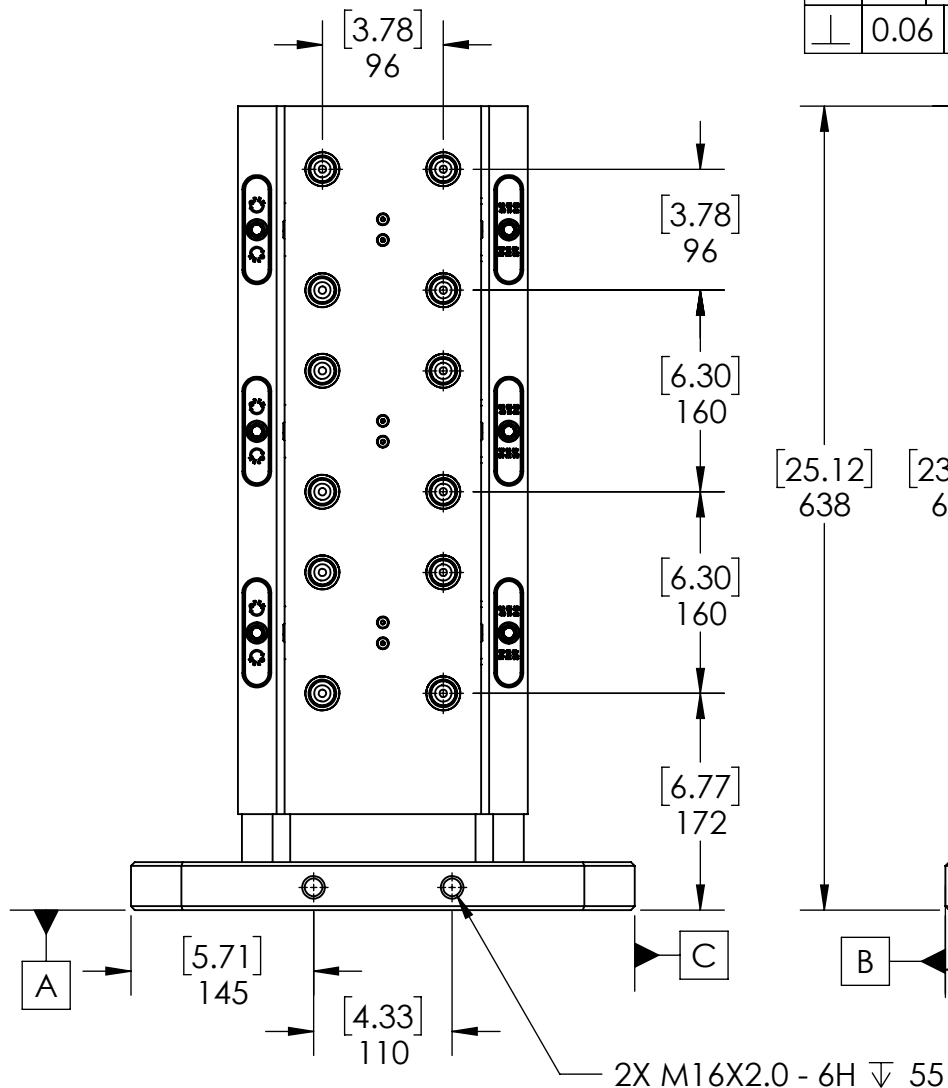


**BOTTOM VIEW**

ALL OTHER HOLES FOR TEMPORARY FIXTURING ONLY - DO NOT USE DURING MACHINING



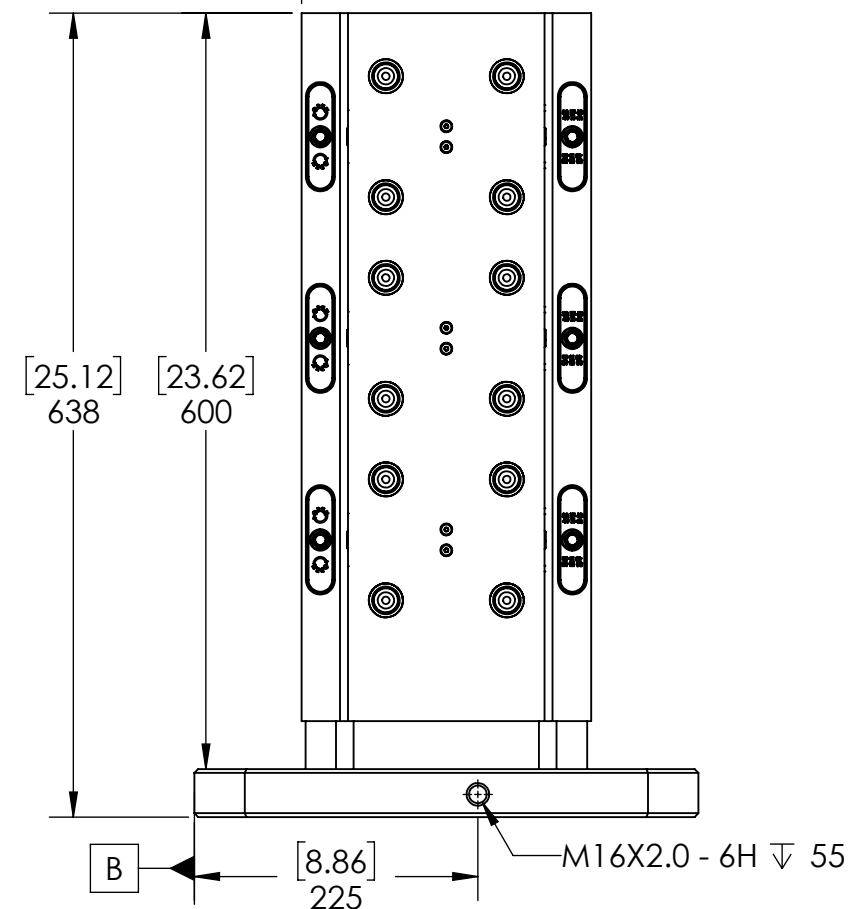
**FRONT VIEW**



TYPE EACH FACE

$\nabla$	0.2	A	B	C
$\perp$	0.06	A		

**SIDE VIEW**



**MILLIMETER**  
WWW.5THAXIS.COM  
7140 ENGINEER ROAD  
SAN DIEGO, CA 92111  
P (858) 505-0432  
THIRD ANGLE PROJECTION



DESCRIPTION <b>96MM ROCKLOCK, 400MM TOMBSTONE, 638MM TALL, 4-SIDED, CAST IRON</b>		REV <b>A</b>
SIZE <b>B</b>	PART NO. <b>RL96S-4004U-638</b>	
DO NOT SCALE DRAWING	SCALE 1:6	WEIGHT:
		SHEET 1 OF 2

8

7

6

5

4

3

2

1

8

7

6

5

4

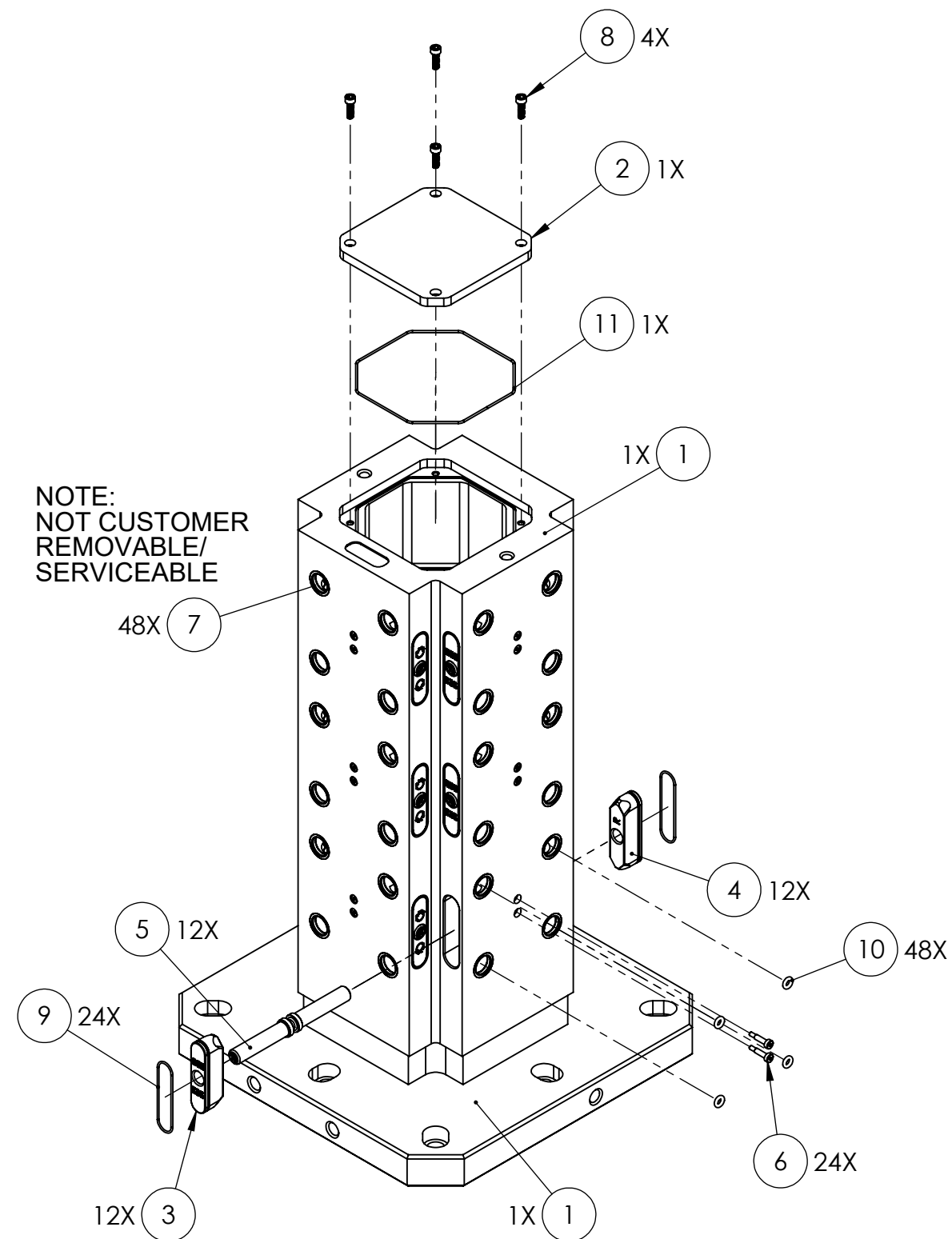
3

2

1

**MATERIAL:**

**BASE - A36 STEEL**  
**TOWER - CAST IRON**

**RL96S-4004U-638**

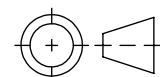
ITEM NO.	PART NUMBER	DESCRIPTION	QTY.
1	RL96-4004-600S	96MM ROCKLOCK, 400MM BASE, 600MM 4-SIDE TOWER	1
2	RL96-14TC	96MM ROCKLOCK, 230MM TOMB CAP, ALUMINUM	1
3	RL96-2L	96MM ROCKLOCK, LOCK, LEFT	12
4	RL96-2R	96MM ROCKLOCK, LOCK, RIGHT	12
5	RL96-3	96MM ROCKLOCK, LEAD SCREW	12
6	SB54	SHOULDER BOLT 5MM DIAM 24MM LENGTH M4X0.7	24
7	HW27X20.DB	96MM ROCKLOCK BUSHING	48
8	-	SOCKET HEAD CAP SCREW, M6x1x20mm	4
9	-	BUNA-N O-RING, 1/16 - #033	24
10	-	BUNA-N O-RING, 1/8 - #202	48
11	-	O-RING, 156mm ID X 2mm THK, BUNA-N, 70A	1

**MILLIMETER**

WWW.5THAXIS.COM

7140 ENGINEER ROAD  
 SAN DIEGO, CA 92111  
 P (858) 505-0432

THIRD ANGLE PROJECTION



DESCRIPTION

**96MM ROCKLOCK, 400MM TOMBSTONE, 638MM TALL, 4-SIDED, CAST IRON**

SIZE

**B**

PART NO.

**RL96S-4004U-638**

REV

**A**

DO NOT SCALE DRAWING

SCALE 1:6

WEIGHT:

SHEET 2 OF 2

8

7

6

5

4

3

2

1