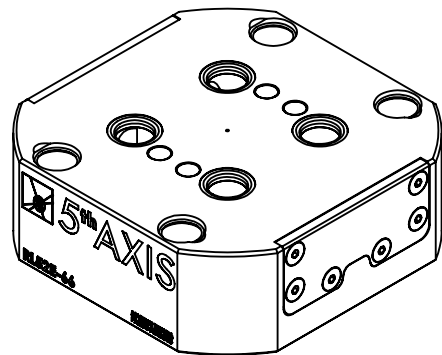
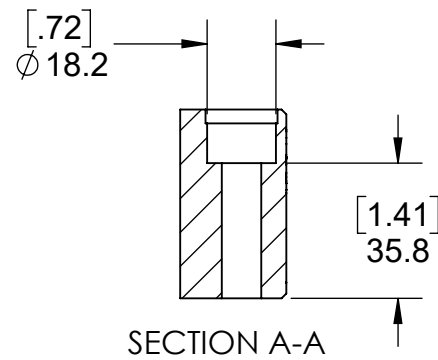
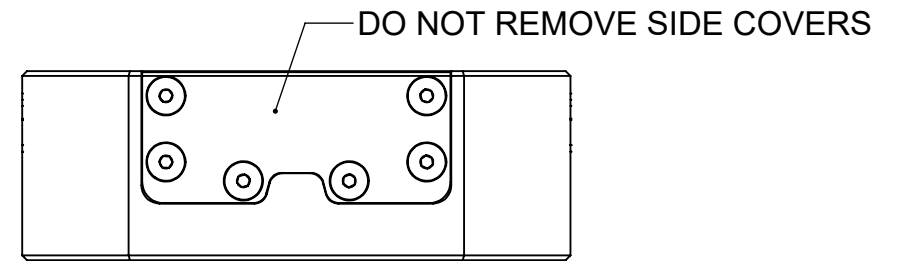
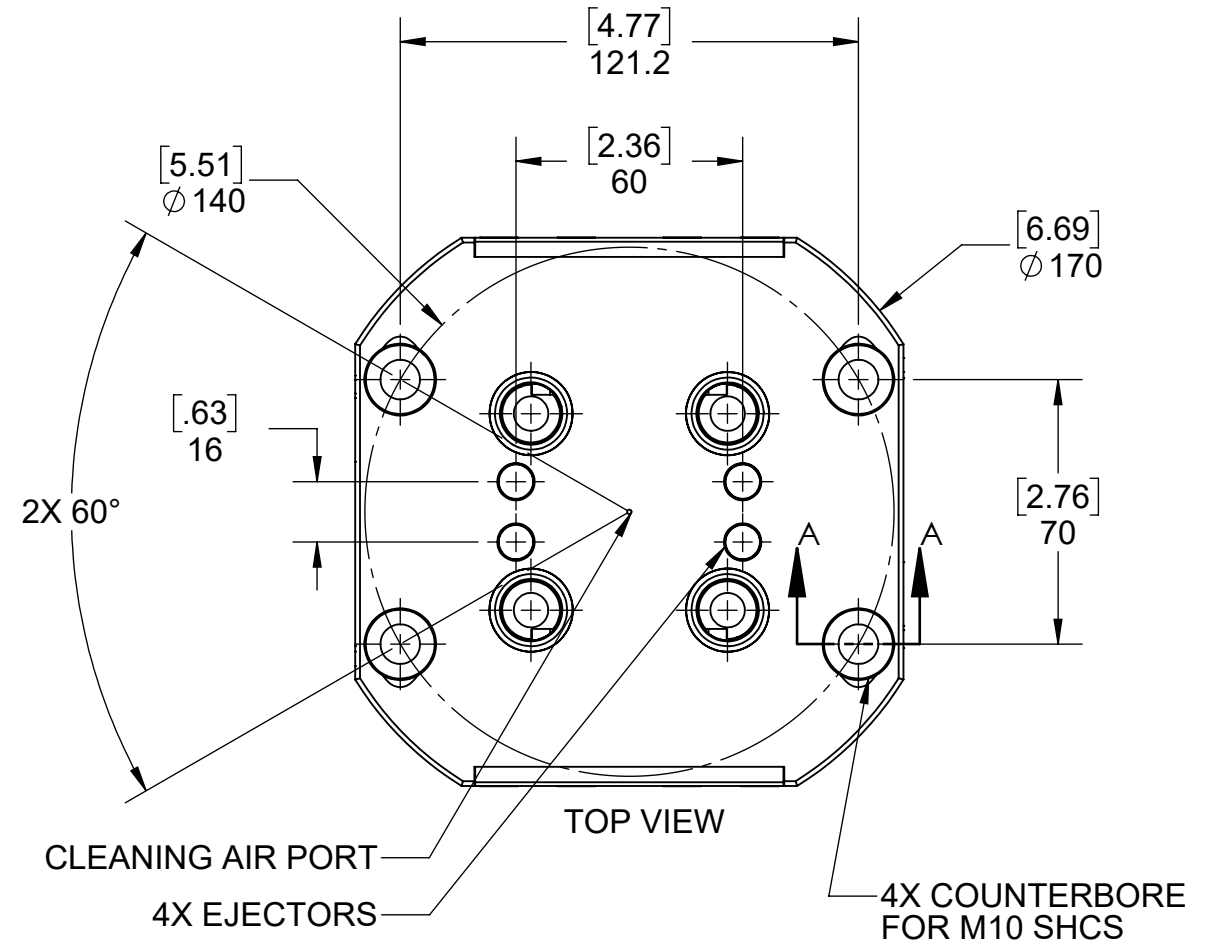
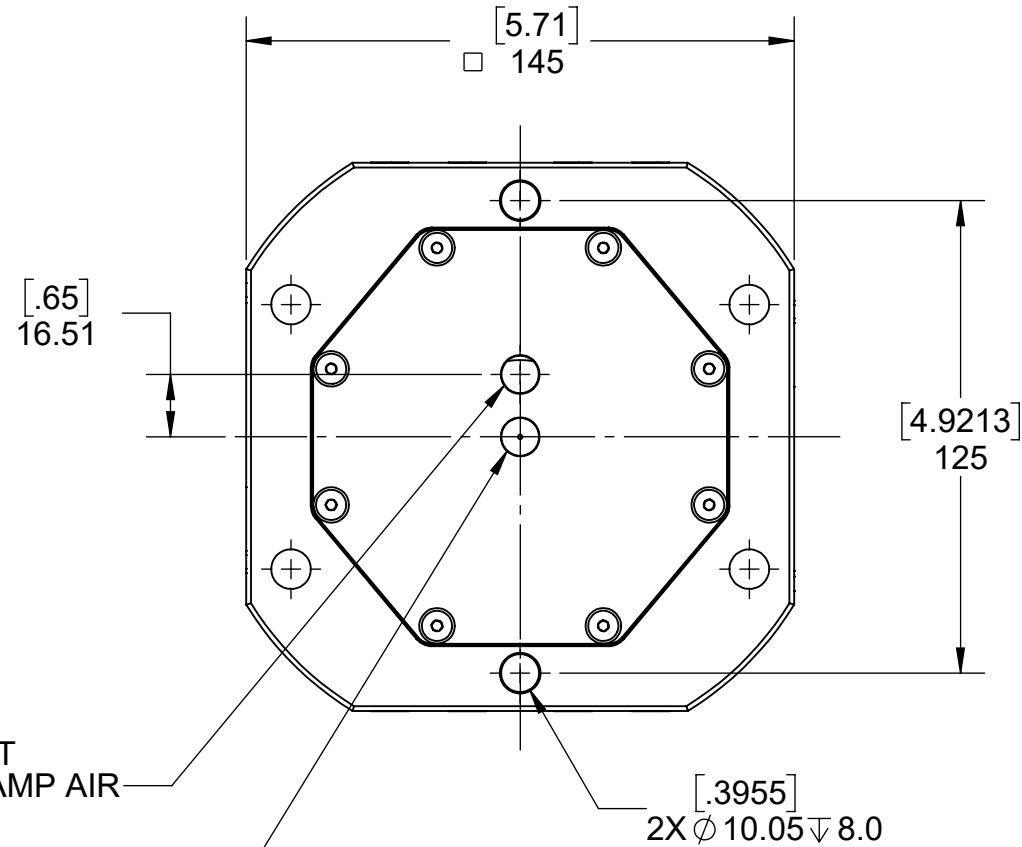


**NOTES:**  
**AIR THRU BOTTOM CONFIGURATION W/EJECTORS**  
**WORKING PRESSURE RANGE:**  
**80 PSI [.55 MPa] MIN**  
**130 PSI [.9 MPa] MAX**

# RL52E-66



|  |                 |             |   |              |
|--|-----------------|-------------|---|--------------|
| <b>MILLIMETER</b>  |                 |             |   |              |
| WWW.5THAXIS.COM<br>7140 ENGINEER ROAD<br>SAN DIEGO, CA 92111<br>P (858) 505-0432 |                 |             |   |              |
| THIRD ANGLE PROJECTION   |                 | DESCRIPTION | <b>52MM PNEUMATIC CHUCK WITH EJECTORS</b> |              |
| SIZE   | PART NO.        | REV         |   |              |
| <b>B</b>   | <b>RL52E-66</b> | <b>B</b>    |   |              |
| DO NOT SCALE DRAWING   |                 | SCALE 1:2   | WEIGHT:                                   | SHEET 1 OF 1 |