

8

7

6

5

4

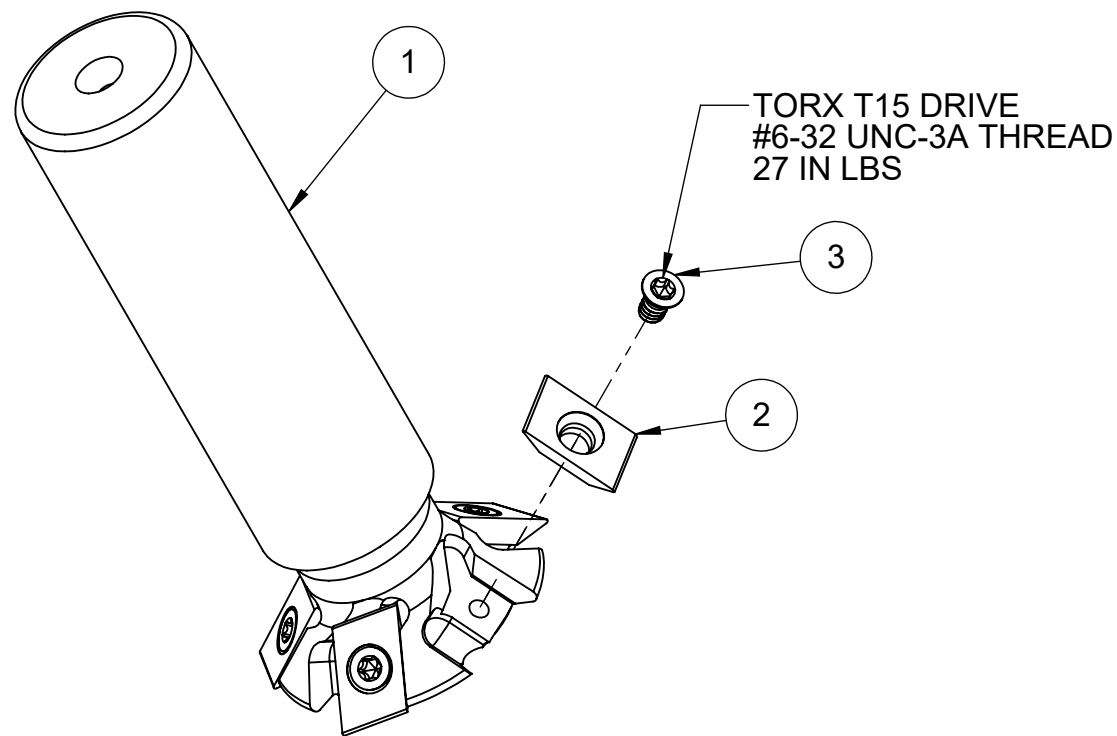
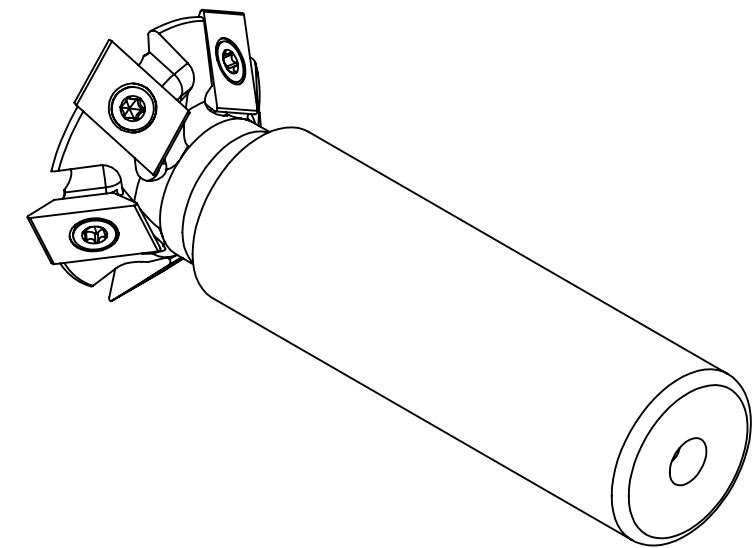
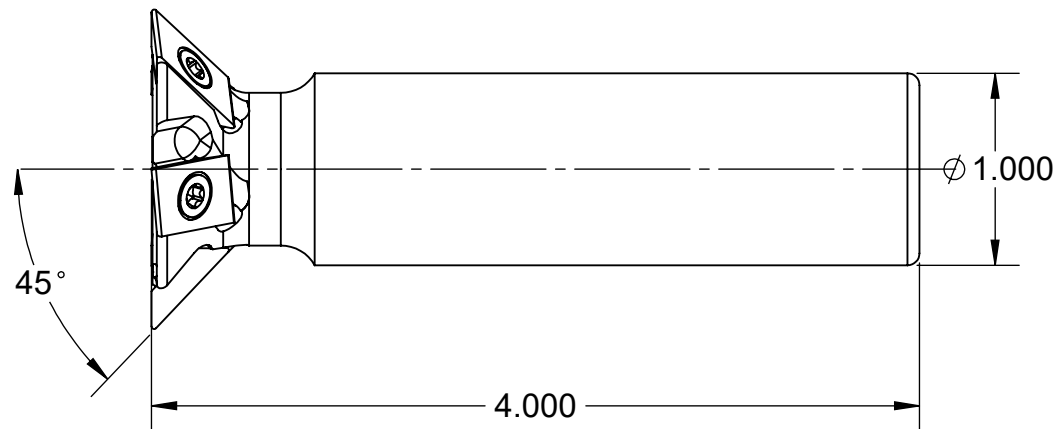
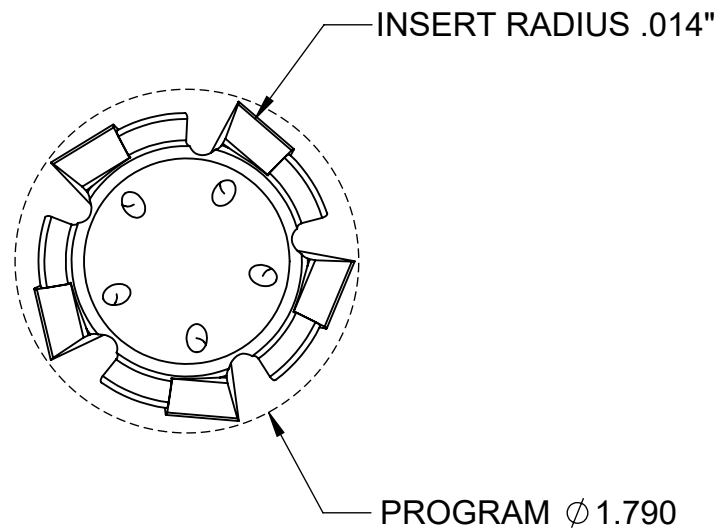
3

2


1

MATERIAL: H13 TOOL STEEL
COMPATIBLE WITH ALL 5TH AXIS DOVETAIL PRODUCT

DC1750-I



ITEM NO.	PART NUMBER	DESCRIPTION	QTY.
1	DC1750-45	DOVETAIL CUTTER BODY	1
2	DC1750-B	INSERT	5
3	DC1750-S	SET SCREW	5
FOR REFERENCE ONLY - NOT FOR RESALE			

INCH <small>DRAWN IN ACCORDANCE WITH ASME Y14.5-2009</small>	TOLERANCES <small>UNLESS OTHERWISE SPECIFIED</small>			
	<small>x ± 0.1</small>	<small>.xx ± 0.01</small>	DESCRIPTION DOVETAIL CUTTER, 45°, INCH	
<small>.x ± 0.05</small>	<small>.xxx ± 0.005</small>			
<small>ANGULAR ± 0.5°</small>		<small>THIRD ANGLE PROJECTION</small>		REV A
<small>WWW.5THAXIS.COM</small>		SIZE B		
<small>7140 ENGINEER ROAD SAN DIEGO, CA 92111</small>		PART NO. DC1750-I		
<small>P (858) 505-0432 F (858) 505-9344</small>		<small>DO NOT SCALE DRAWING</small>		<small>SCALE 1:1</small>
		<small>WEIGHT:</small>		<small>SHEET 1 OF 1</small>

8

7

6

5

4

3

2

1