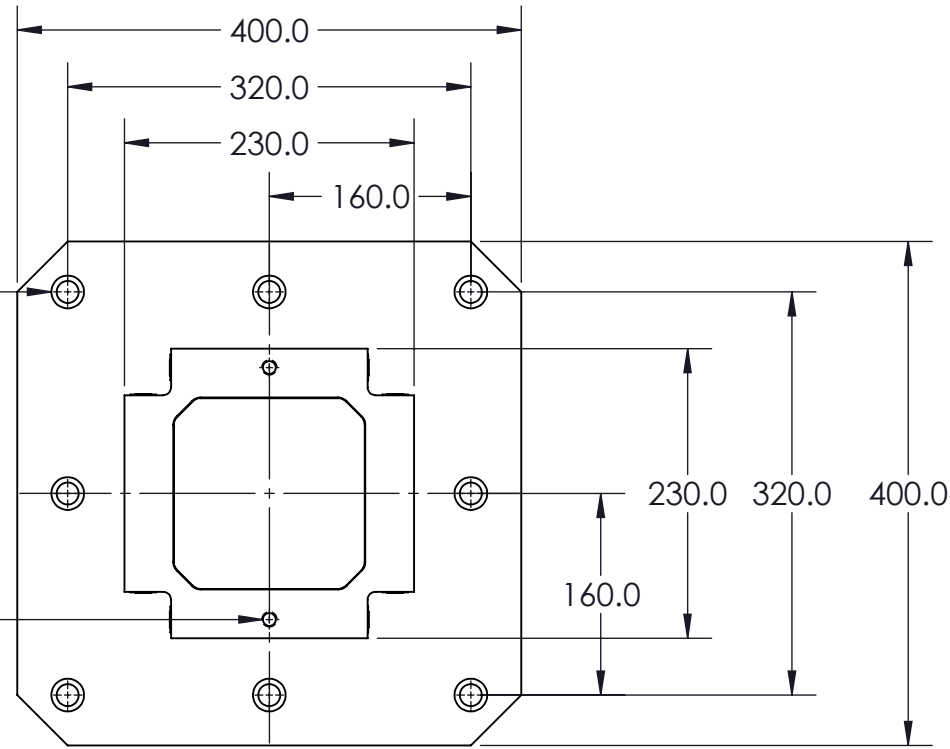


MATERIAL: 6061 ALUMINUM

D

8X ϕ 17.50 THRU
 \square ϕ 26.00 ∇ 16.0

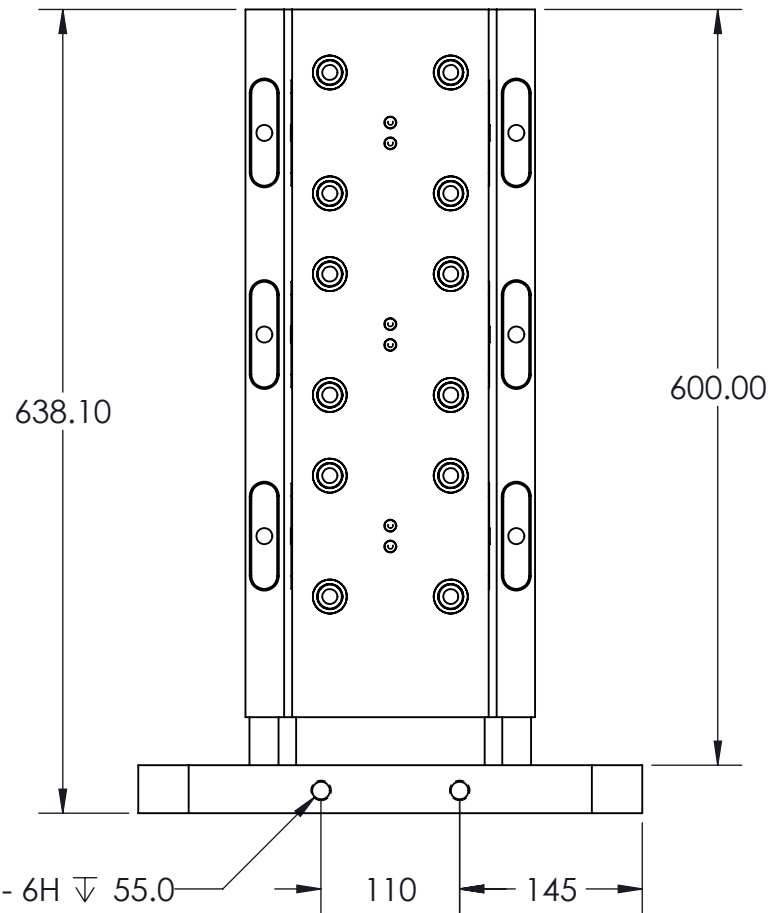
2X M12X1.75 - 6H ∇ 24
FOR EYEBOLT



C

B

A



2X M16X2.0 - 6H ∇ 55.0

110

145

96 TYP

96 TYP

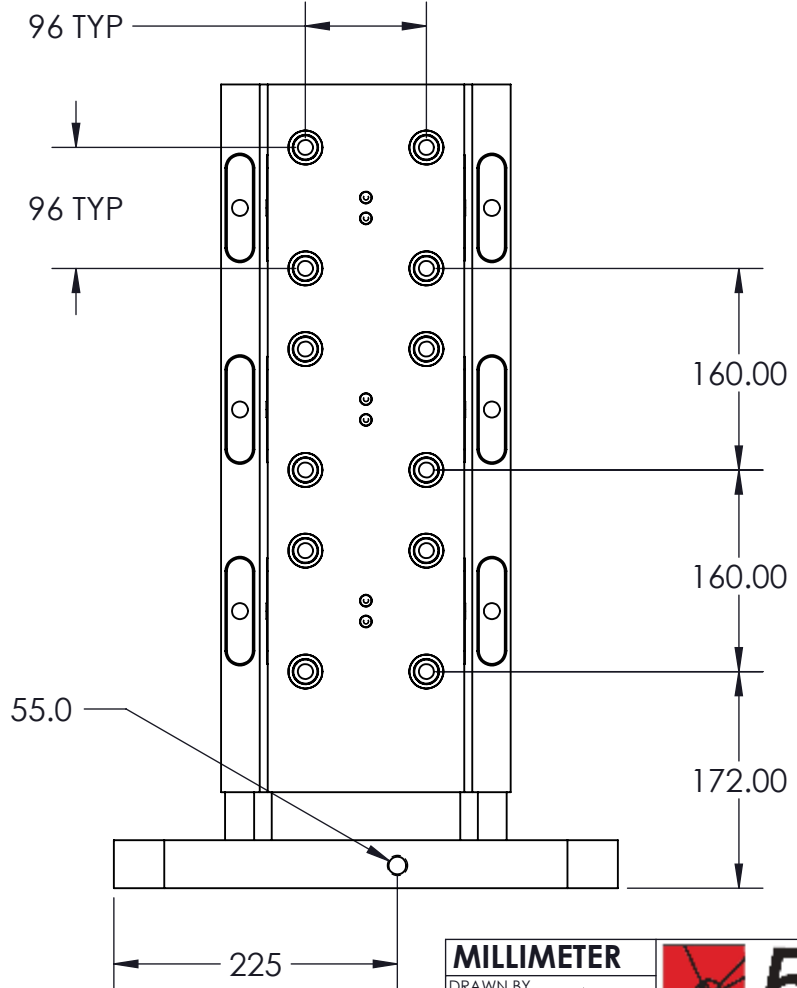
160.00

160.00

172.00

M16X2.0 - 6H ∇ 55.0

225



MILLIMETER

DRAWN BY

Y. RHEE

THIRD ANGLE PROJECTION



5thAXIS

WWW.FIFTHAXIS.COM
7140 ENGINEER ROAD
SAN DIEGO, CA 92111
P (858) 505-0432 F (858) 505-9344

DESCRIPTION

400MM ROCKLOCK TOMBSTONE

SIZE

PART NO.

B

RL96A-4004

REV

A

DO NOT SCALE DRAWING

SCALE 1:10

WEIGHT:

SHEET 1 OF 1

8

7

6

5

4

3

2

1