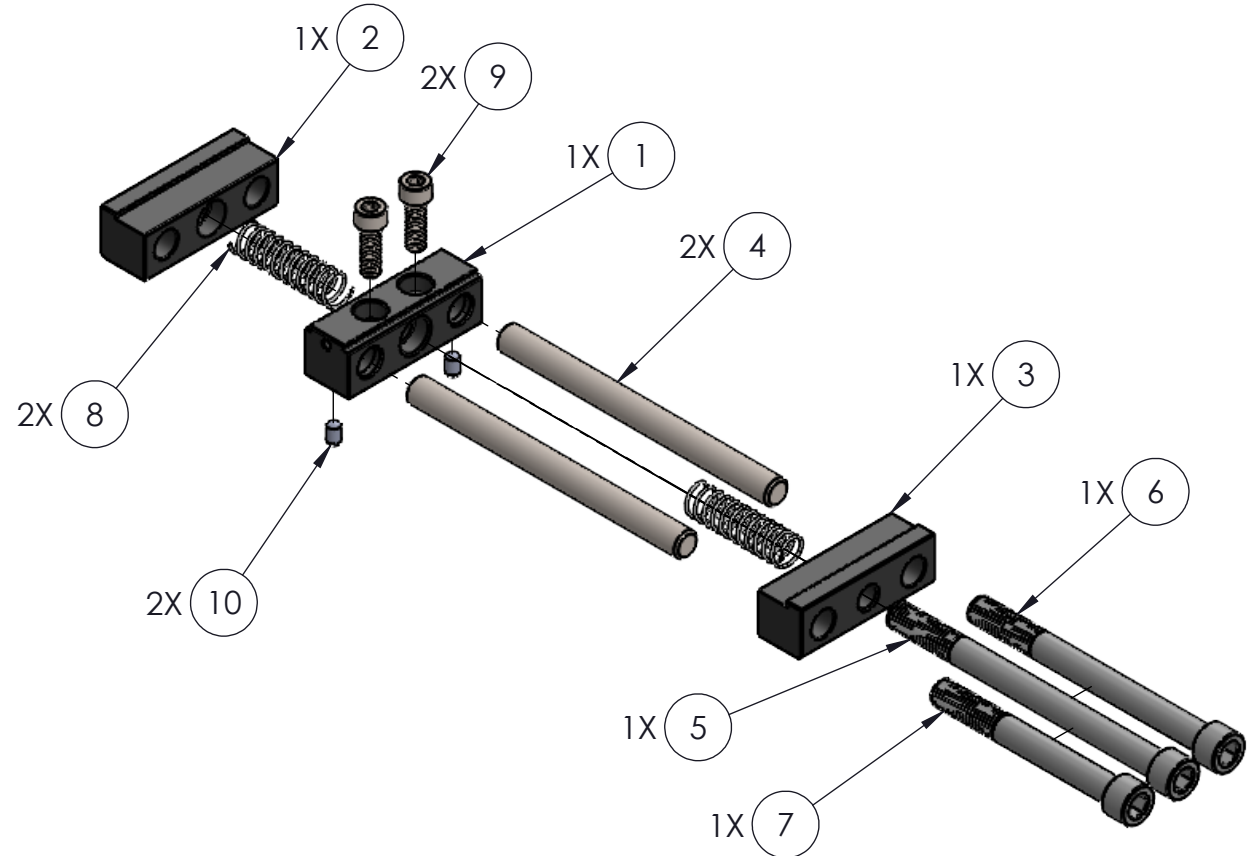
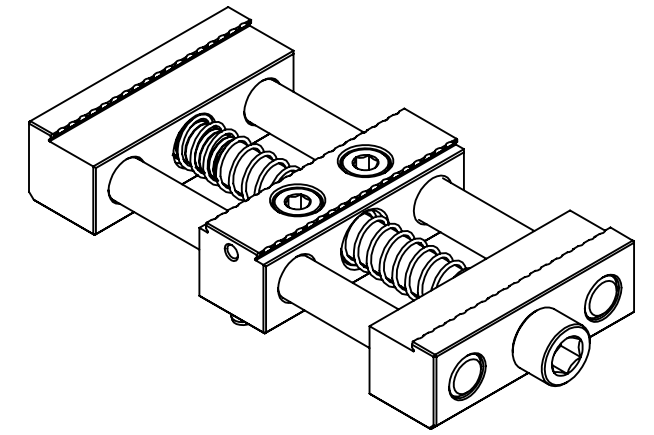


8 7 6 5 4 3 2 1



ITEM NO.	PART NUMBER	DESCRIPTION	QTY.
1	PV3X-1	CENTER JAW, 3" PIN VISE, HARD	1
2	PV3X-2A	FRONT JAW, 3" PIN VISE, A SERIES, HARD	1
3	PV3X-3A	BACK JAW, 3" PIN VISE, A SERIES, HARD	1
4	0500X6000.DP	DOWEL PIN, 0.500" DIAMETER, 6.000" LENGTH	2
5	M12X150.SHCS	SOCKET HEAD CAP SCREW, M12-1.75MM, 150MM LENGTH	1
6	M12X130.SHCS	SOCKET HEAD CAP SCREW, M12-1.75MM, 130MM LENGTH	1
7	M12X100.SHCS	SOCKET HEAD CAP SCREW, M12-1.75MM, 100MM LENGTH	1
8	LC045H10M	COMPRESSION SPRING, HOLE DIAMETER 0.625", SOLID HEIGHT 0.532", MUSIC WIRE	2
9	M8X025.SHCS	SOCKET HEAD CAP SCREW, M8-1.25MM, 25MM LENGTH	2
10	M06X010.DP	DOWEL PIN, 6MM DIAMETER, 10MM LENGTH	2

INCH <small>DRAWN IN ACCORDANCE WITH ASME Y14.5-2009</small>	TOLERANCES <small>UNLESS OTHERWISE SPECIFIED</small> DECIMAL: X ± 0.05, XX ± 0.01, XXX ± 0.005 ANGLE: X ± 1°, X ± 0.5° SURFACE FINISH: THRID ANGLE PROJECTION:	APPROVALS		 <small>WWW.FIFTHAXIS.COM 7140 ENGINEER ROAD SAN DIEGO, CA 92111 P (858) 505-0432 F (858) 505-9344</small>
		<small>DRAWN BY</small> Y. RHEE	<small>DATE</small> 10/06/21	
PROPRIETARY AND CONFIDENTIAL <small>THE INFORMATION CONTAINED IN THIS DRAWING IS THE SOLE PROPERTY OF FIFTH AXIS, INC. ANY REPRODUCTION IN PART OR AS A WHOLE WITHOUT THE WRITTEN PERMISSION OF FIFTH AXIS, INC. IS PROHIBITED.</small>	<small>QUALITY</small> FINAL	<small>SIZE</small> B	<small>PART NO.</small> PV3X-6A	<small>DO NOT SCALE DRAWING</small>

8 7 6 5 4 3 2 1

D
C
B
A

D
C
B
A