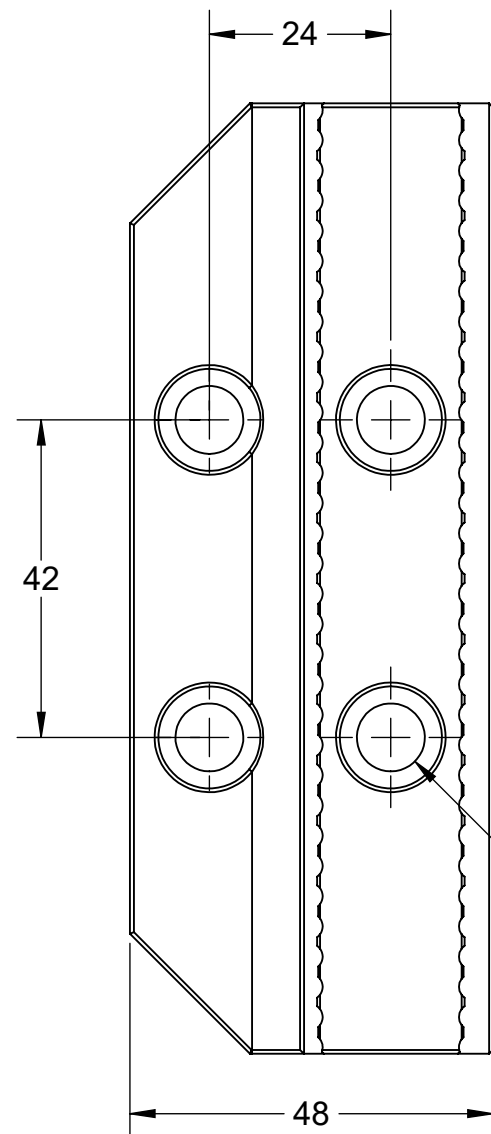
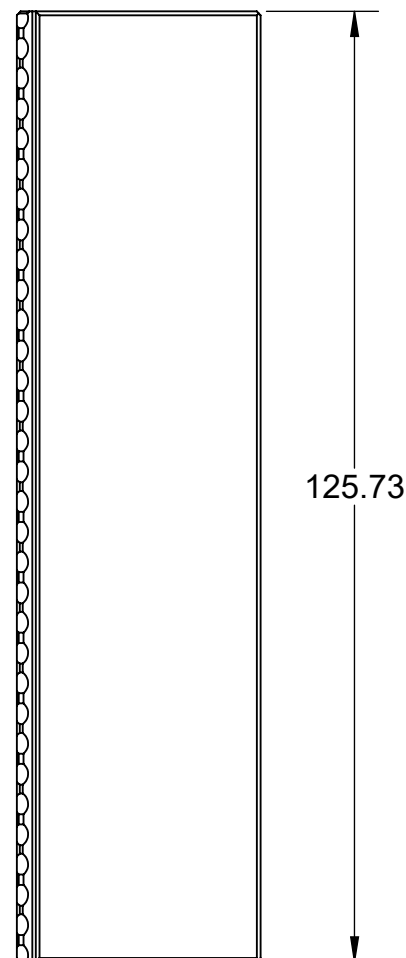


# V562X-5

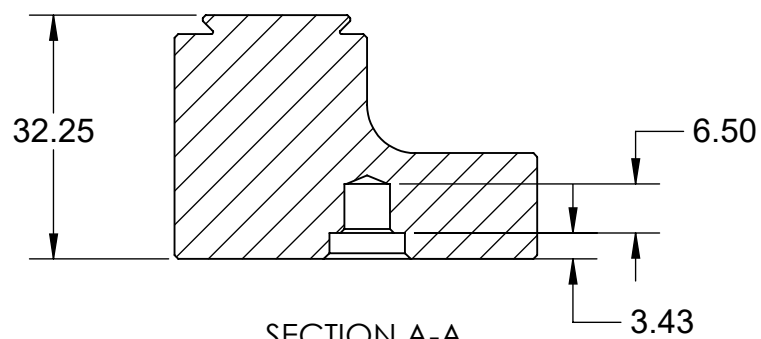
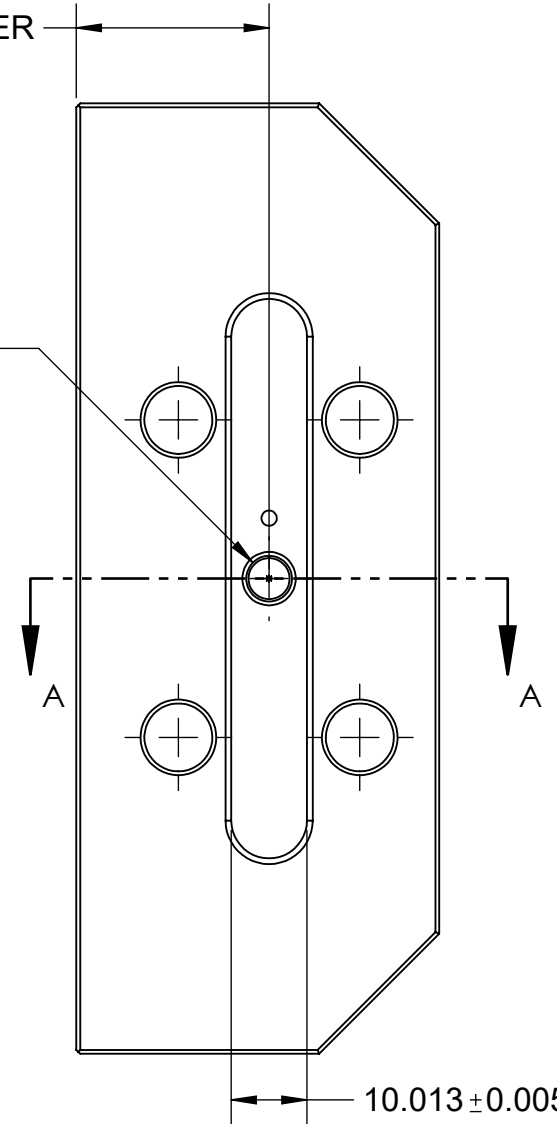


4x  $\phi 9.00$  THRU ALL  
 $\square \phi 13.50 \nabla 26.50$




25.50 SLOT CENTER

$\phi 6.051 \pm 0.025 \nabla$  AS SHOWN



SECTION A-A  
 SCALE 1 : 1

|  |                |   |                                  |              |
|--|----------------|---|----------------------------------|--------------|
| <b>MILLIMETER</b>  |                |  |                                  |              |
| WWW.5THAXIS.COM<br>7140 ENGINEER ROAD<br>SAN DIEGO, CA 92111<br>P (858) 505-0432 |                |   |                                  |              |
| THIRD ANGLE PROJECTION   |                | DESCRIPTION   | <b>MEDIUM SELF-CENTERING JAW</b> |              |
| SIZE   | PART NO.       | REV   |                                  |              |
| <b>B</b>   | <b>V562X-5</b> | <b>B</b>  |                                  |              |
| DO NOT SCALE DRAWING   |                | SCALE 1:1   | WEIGHT:                          | SHEET 1 OF 1 |