

8

7

6

5

4

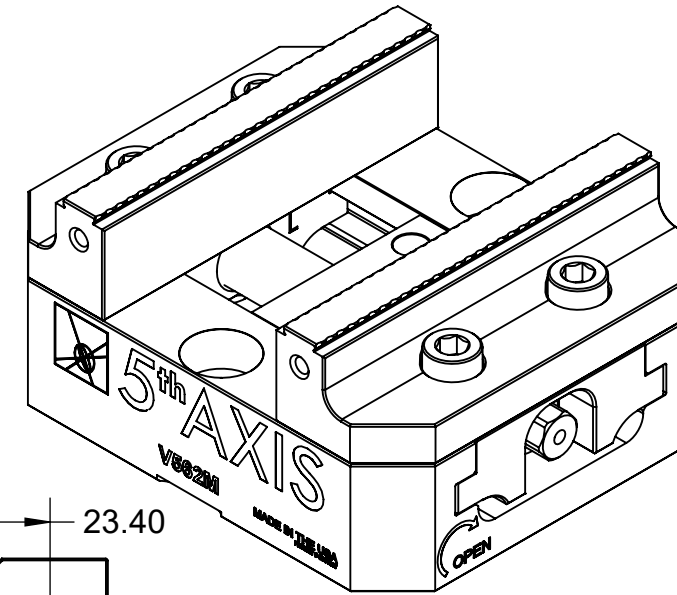
3

2

1

TECHNICAL DATA	V562M
JAW WIDTH	125.73mm
BASE LENGTH	152.40mm
MAXIMUM TORQUE (JAW BOLT)	47.45 Nm
CLAMPING FORCE	19.57kN @ 74.57 Nm
MAXIMUM TORQUE (LEADSCREW)	74.57 Nm
MAXIMUM TORQUE (MOUNTING BOLT)	47.45 Nm
SELF-CENTERING ACCURACY	± 12.7µm

V562M



D

D

C

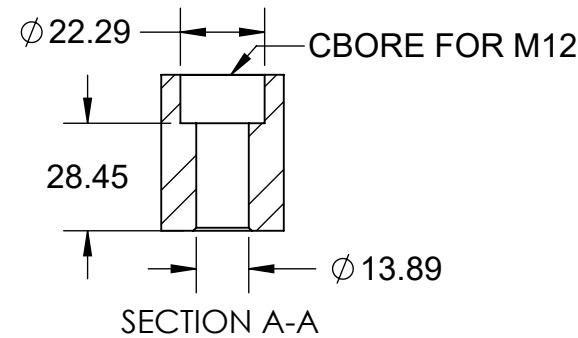
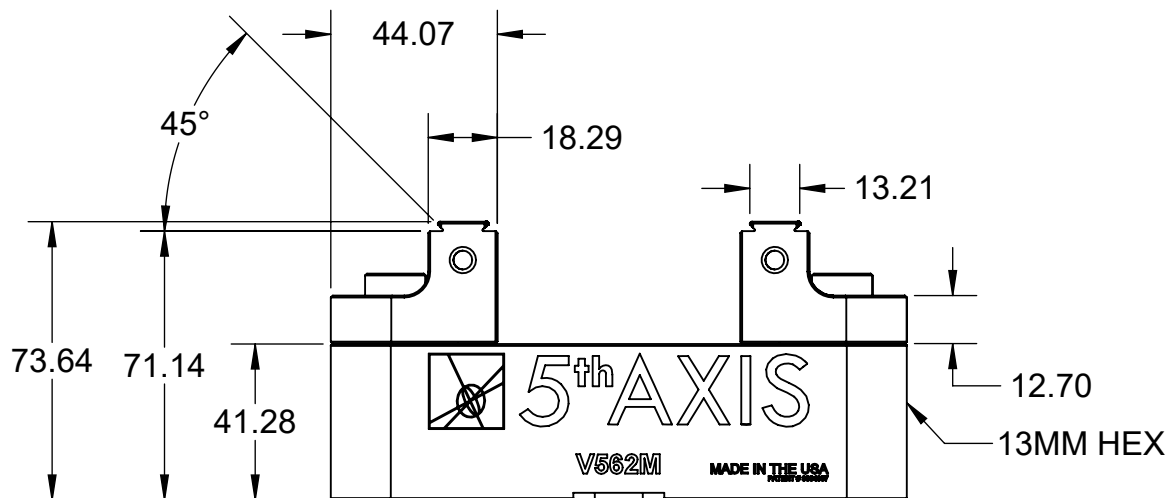
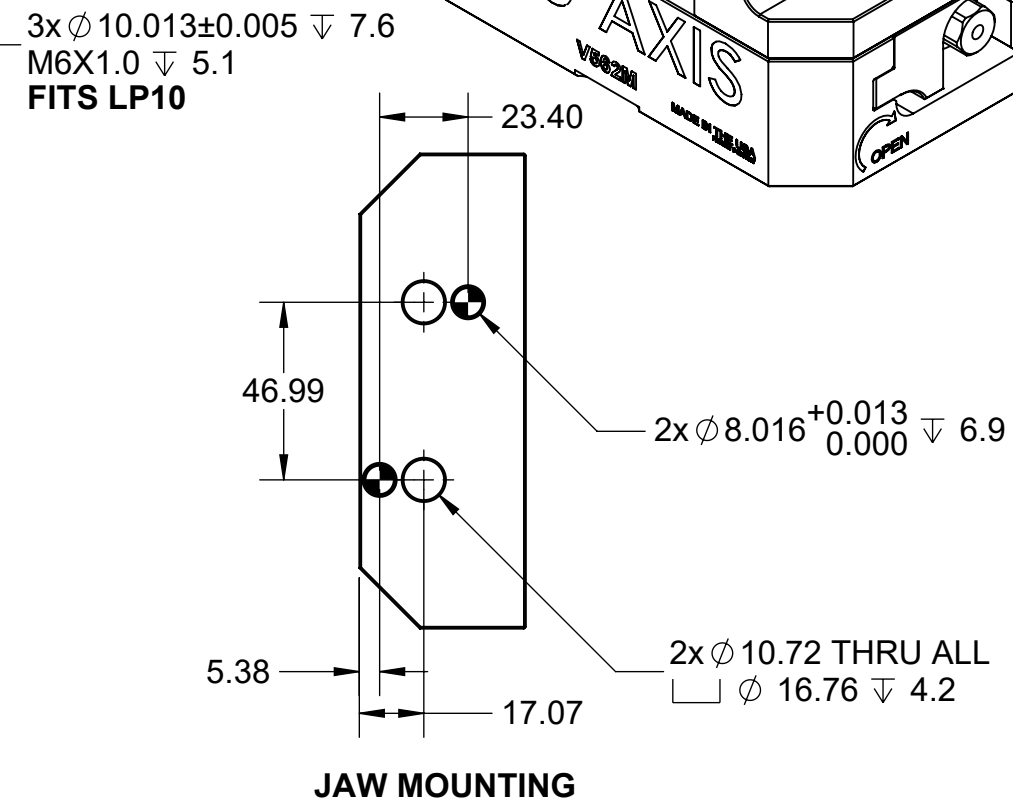
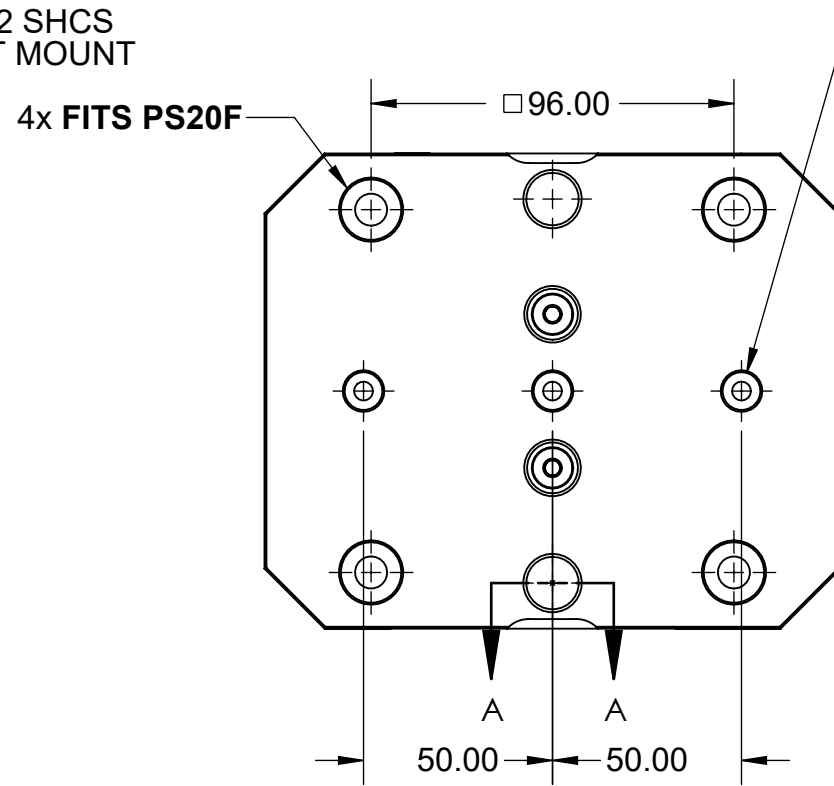
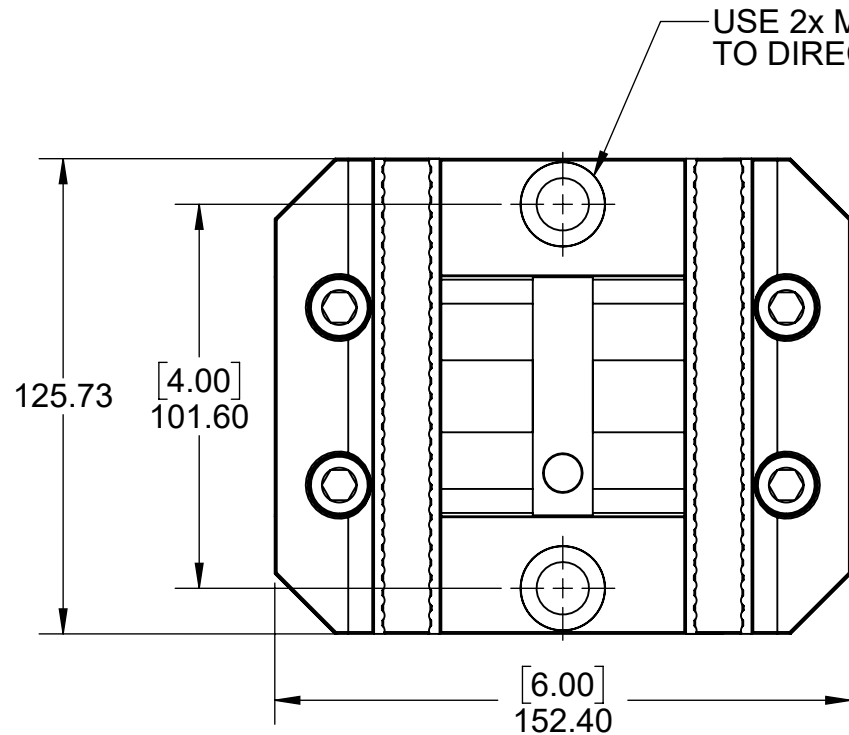
C

B

B

A

A



MILLIMETER <small>DRAWN IN ACCORDANCE WITH ASME Y14.5-2009</small> WWW.5THAXIS.COM 7140 ENGINEER ROAD SAN DIEGO, CA 92111 P (858) 505-0432 F (858) 505-9344	TOLERANCES <small>UNLESS OTHERWISE SPECIFIED</small> x ± 0.1 .xx ± 0.01 .x ± 0.05 .xxx ± 0.005 ANGULAR ± 0.5° THIRD ANGLE PROJECTION			
	DESCRIPTION SELF-CENTERING VISE	SIZE B	PART NO. V562M	REV A
DO NOT SCALE DRAWING		SCALE 1:2	WEIGHT:	SHEET 1 OF 3

8

7

6

5

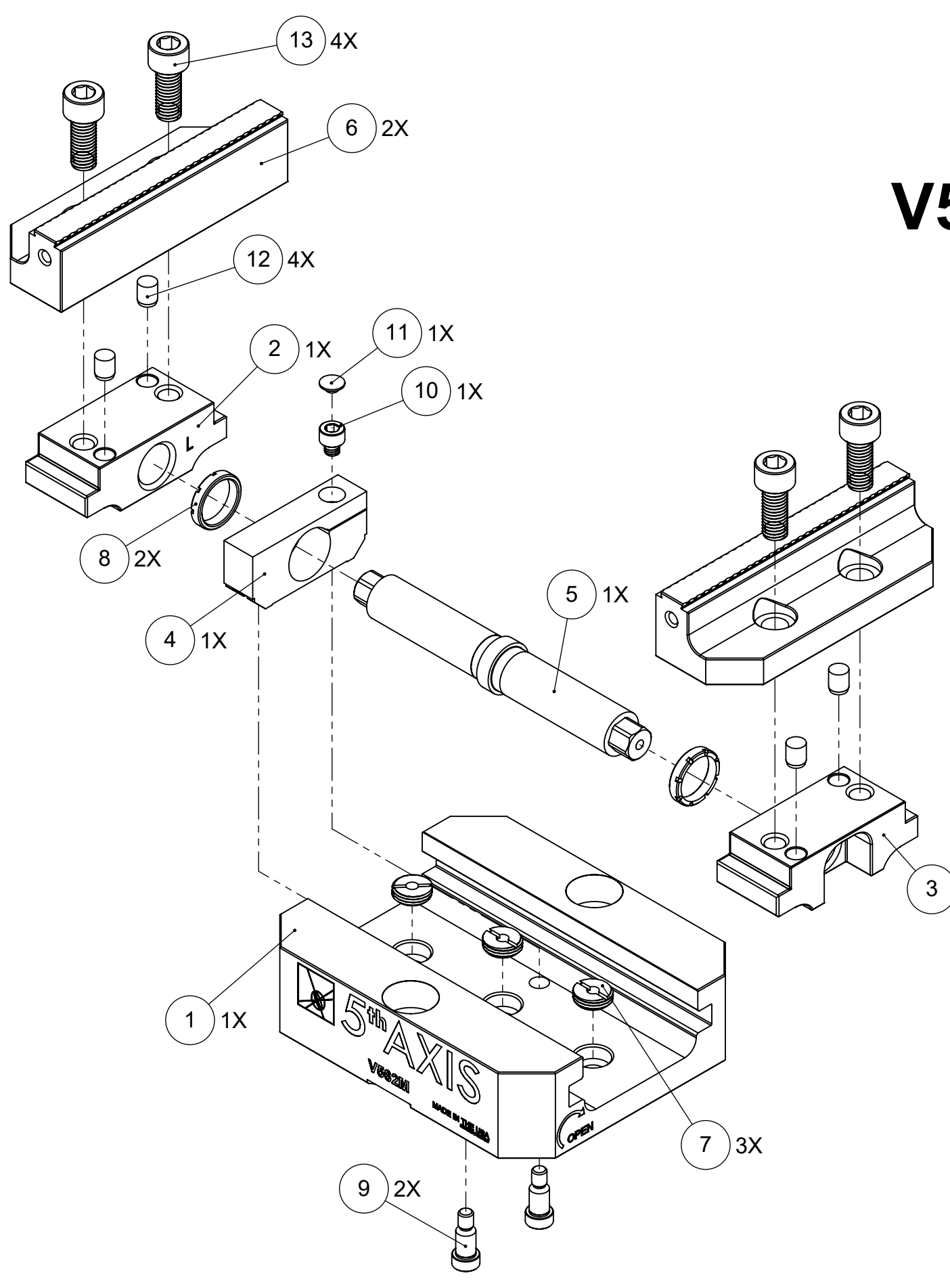
4

3

2

1

V562M



ITEM NO.	PART NUMBER	DESCRIPTION	QTY.
1	V562M-1	BASE	1
2	V562M-2L	LEFT TRUCK	1
3	V562M-2R	RIGHT TRUCK	1
4	V562MX-3	CENTER BLOCK	1
5	V562M-4	LEAD SCREW	1
6	V562M-5	JAW	2
7	TIM-58	THREADED INSERT	3
8	V56124-6	CENTER BLOCK RING	2
9	SB5VX	SHOULDER BOLT	2
10	91290A310	SOCKET HEAD CAP SCREW	1
11	M6C	PLASTIC PLUG	1
12	M8X12.DP	DOWEL PIN, M8 X 12mm	4
13	91290A520	SOCKET HEAD CAP SCREW	4
14	ANTI-SEIZE	ANTI-SEIZE (NOT SHOWN)	1
15	LP10	LOCATING PIN (NOT SHOWN)	2
16	TS13	THUMB SCREW (NOT SHOWN)	1

FOR REFERENCE ONLY - NOT FOR RESALE

MILLIMETER	TOLERANCES UNLESS OTHERWISE SPECIFIED	5th AXIS [®]	
<small>DRAWN IN ACCORDANCE WITH ASME Y14.5-2009</small>	<small>x ± 0.1 .xx ± 0.01 .x ± 0.05 .xxx ± 0.005 ANGULAR ± 0.5° THIRD ANGLE PROJECTION</small>	DESCRIPTION SELF-CENTERING VISE	
WWW.5THAXIS.COM		SIZE B	PART NO. V562M
7140 ENGINEER ROAD SAN DIEGO, CA 92111		REV A	
P (858) 505-0432 F (858) 505-9344		DO NOT SCALE DRAWING	SHEET 2 OF 3

8

7

6

5

4

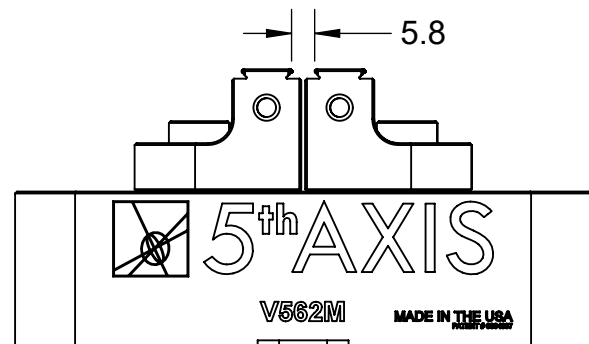
3

2

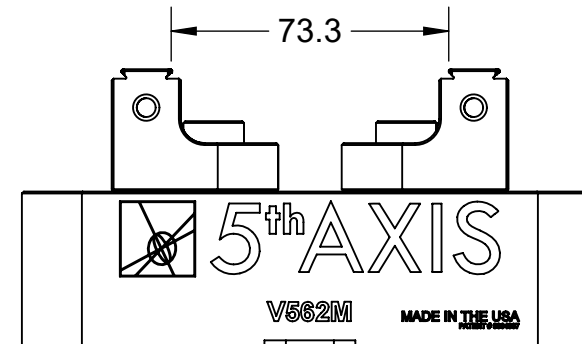
1

NOTE: USING DOVETAIL ALLOWS VISE TO CLAMP LARGER PART.
BELOW CLAMPING RANGE ONLY SHOWS THE CAPABILITY OF THE GRIPPER TEETH.

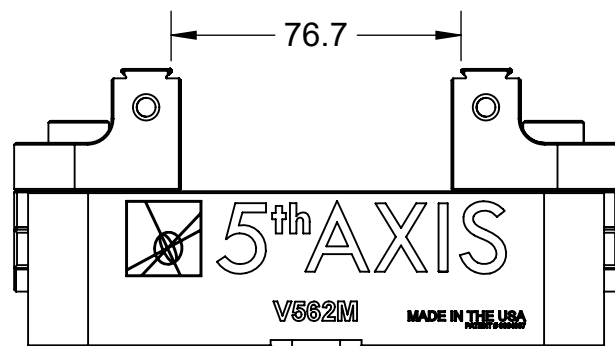
V562M



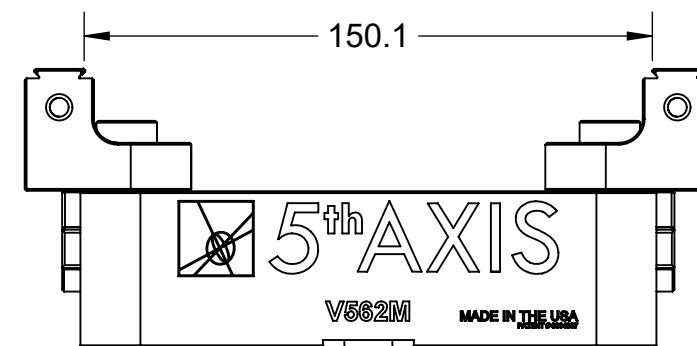
FORWARD JAWS (MINIMUM CLAMPING RANGE)




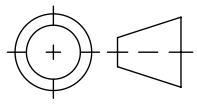
REVERSE JAWS (MINIMUM CLAMPING RANGE)



FORWARD JAWS (MAXIMUM CLAMPING RANGE)



REVERSE JAWS (MAXIMUM CLAMPING RANGE)

MILLIMETER <small>DRAWN IN ACCORDANCE WITH ASME Y14.5-2009</small>	TOLERANCES <small>UNLESS OTHERWISE SPECIFIED</small> x ± 0.1 .xx ± 0.01 .x ± 0.05 .xxx ± 0.005 ANGULAR ± 0.5° <small>THIRD ANGLE PROJECTION</small>			
		DESCRIPTION SELF-CENTERING VISE		
WWW.5THAXIS.COM 7140 ENGINEER ROAD SAN DIEGO, CA 92111 P (858) 505-0432 F (858) 505-9344		SIZE B	PART NO. V562M	REV A
DO NOT SCALE DRAWING		SCALE 1:2	WEIGHT:	SHEET 3 OF 3

8

7

6

5

4

3

2

1