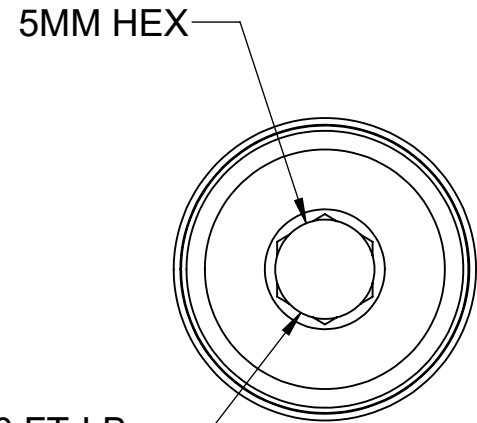
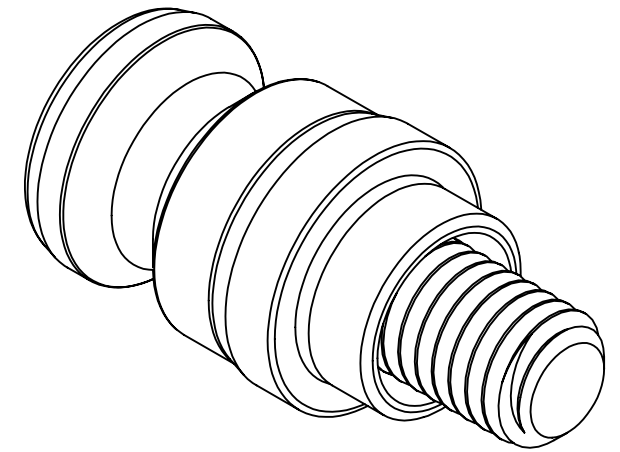


MATERIAL: AISI 8620
COMPATIBLE WITH OTHER 52MM TOP TOOLING SYSTEM

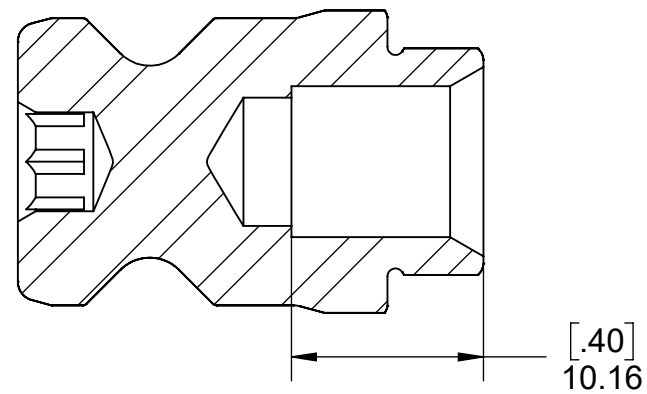
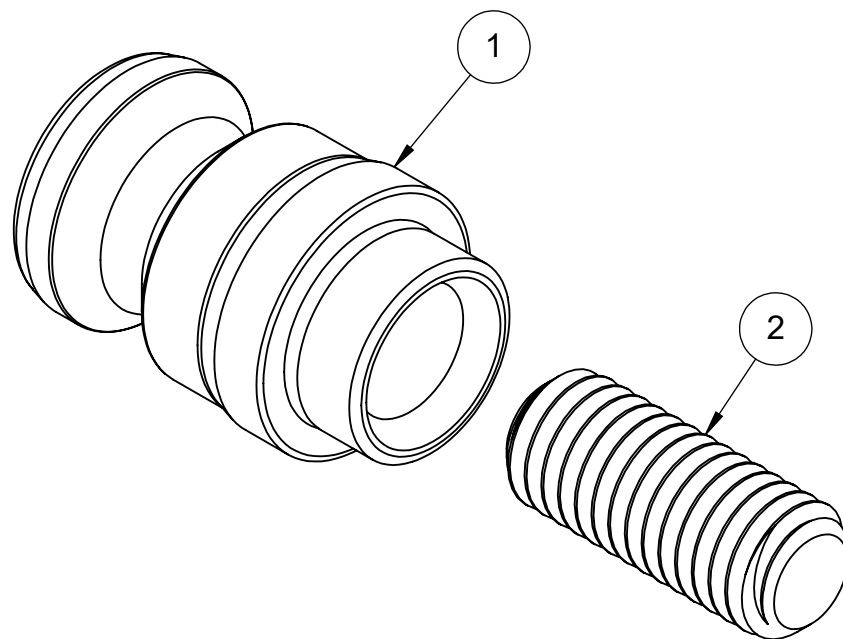
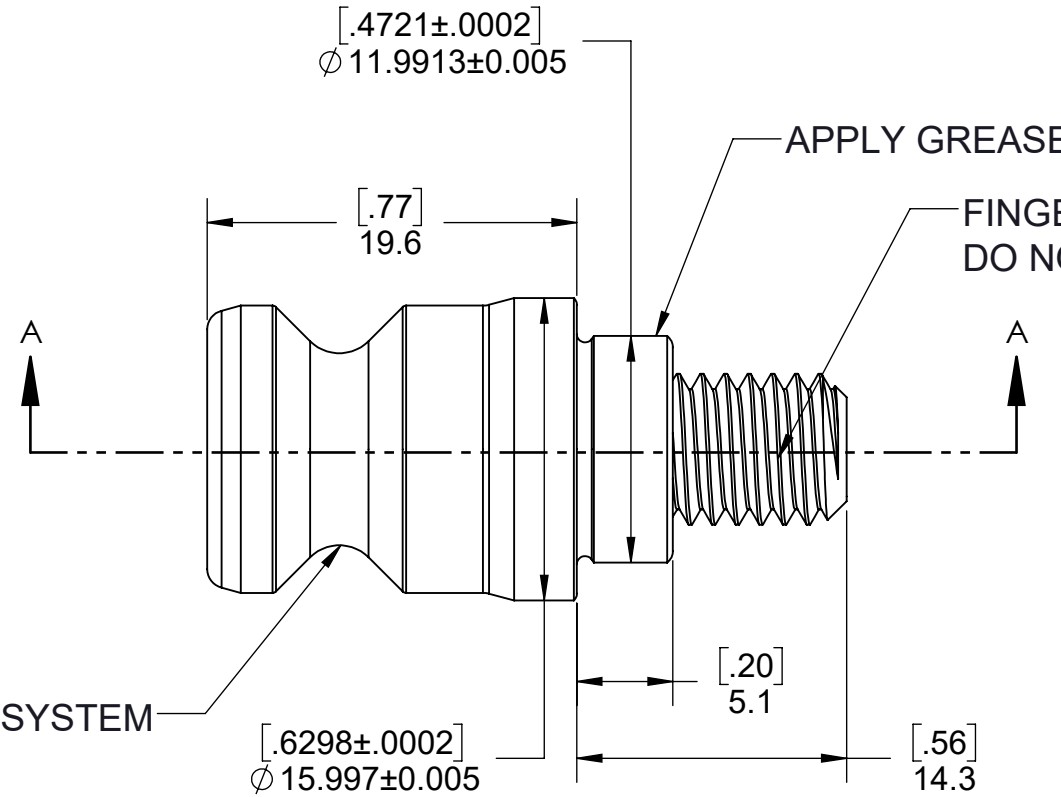
PS16F



5MM HEX

TORQUE TO 10 FT-LB
 (13.5 N-m) MAX

INTERFACES WITH
 5TH AXIS ROCKLOCK SYSTEM



SECTION A-A
 SCALE 2.5 : 1

ITEM NO.	PART NUMBER	DESCRIPTION	QTY.
1	PS16F-1	PULL STUD, ROCKLOCK 52MM	1
2	M8X020.FPSS	FLAT POINT SET SCREW, M8-1.25 THREAD, 20MM LENGTH	1

MILLIMETER				
WWW.5THAXIS.COM 7140 ENGINEER ROAD SAN DIEGO, CA 92111 P (858) 505-0432				
THIRD ANGLE PROJECTION		DESCRIPTION	PULL STUD, ROCKLOCK 52MM	
SIZE	PART NO.	REV		
B	PS16F	B		
DO NOT SCALE DRAWING		SCALE 2.5:1	WEIGHT:	SHEET 1 OF 1