

8

7

6

5

4

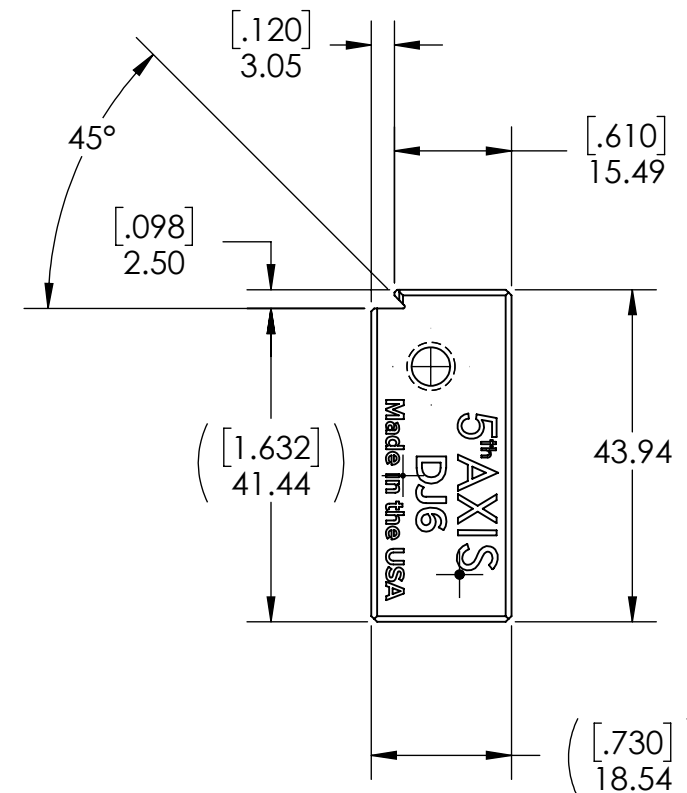
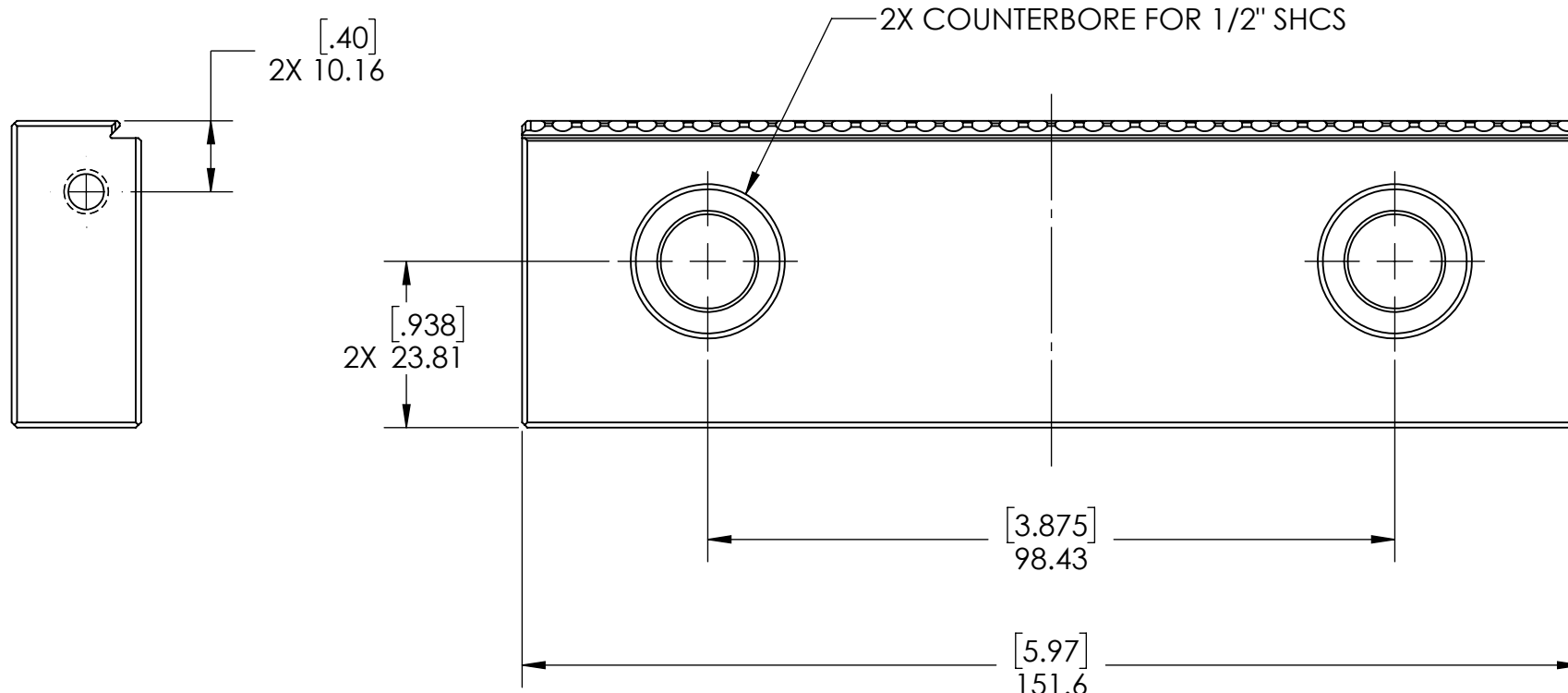
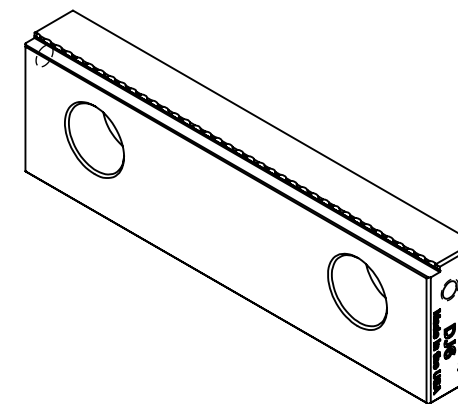
3


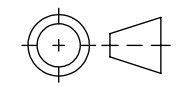
2

1

NOTE: SET OF 2 JAWS INCLUDED

DJ6



MILLIMETER			
WWW.5THAXIS.COM 7140 ENGINEER ROAD SAN DIEGO, CA 92111 P (858) 505-0432			
THIRD ANGLE PROJECTION		DESCRIPTION	
		6" VISE JAWS	
SIZE	PART NO.	REV	
B	DJ6	B	
DO NOT SCALE DRAWING		SCALE 1:1	WEIGHT:
		SHEET 1 OF 1	

8

7

6

5

4

3

2

1