

8

7

6

5

4

3

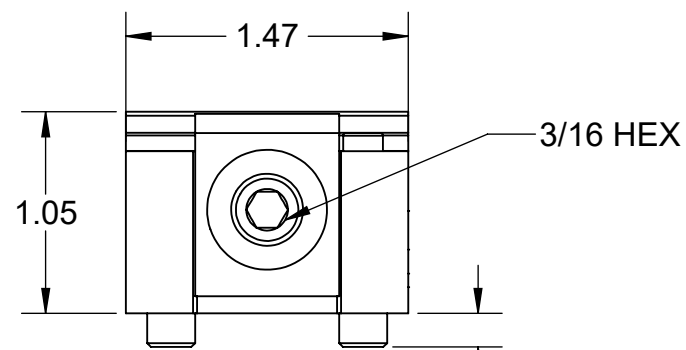
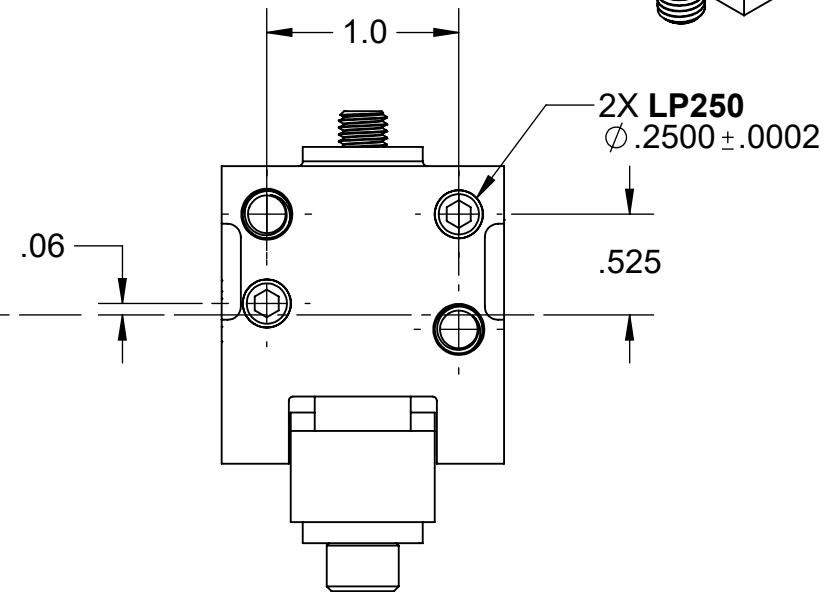
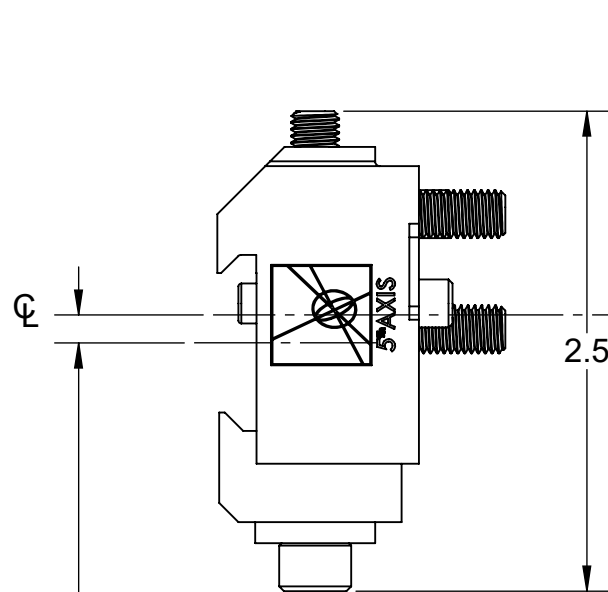
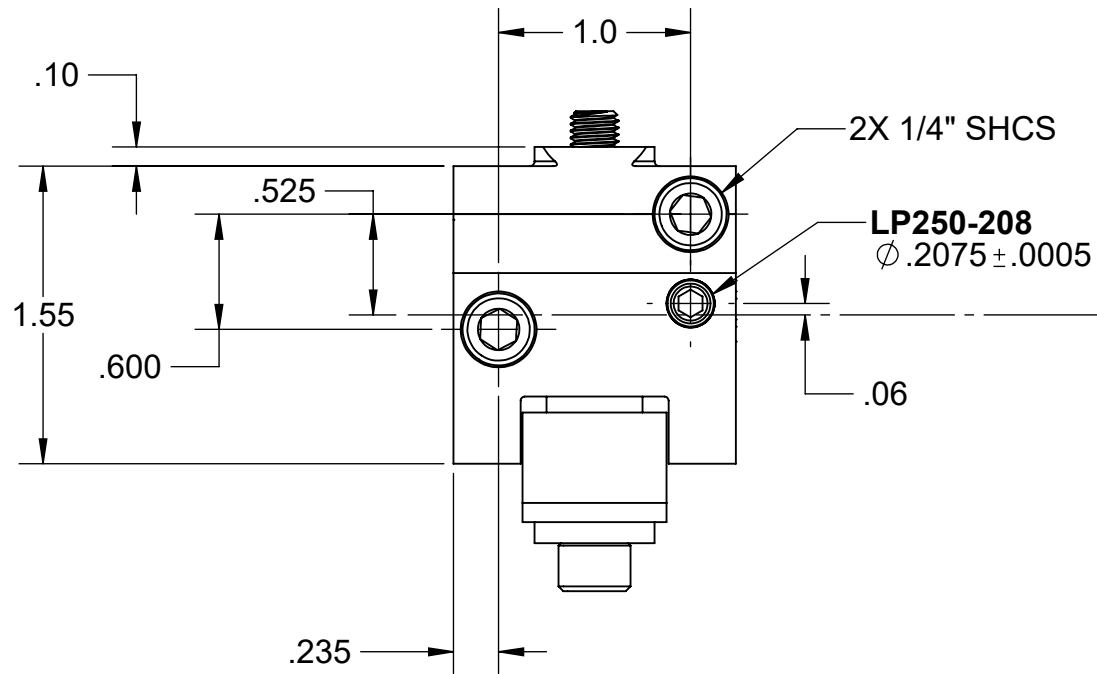
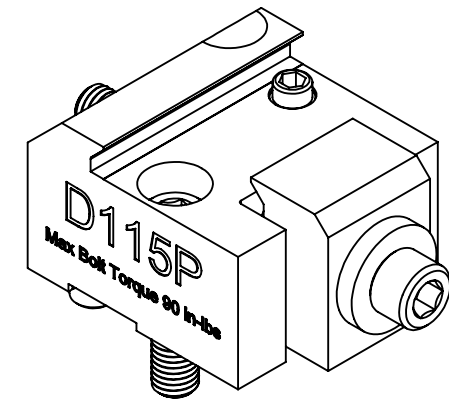
2

1

D

D


D115P



1/4"-28 MOUNTING BOLTS NOT SHOWN FOR CLARITY

2X .175

.127 NOMINAL FROM CENTERLINE OF BODY TO CENTER OF PICATINNY

INCH				
WWW.5THAXIS.COM 7140 ENGINEER ROAD SAN DIEGO, CA 92111 P (858) 505-0432				
THIRD ANGLE PROJECTION		DESCRIPTION	DOVETAIL FIXTURE, PICATINNY	
SIZE	PART NO.	REV		
B	D115P	B		
DO NOT SCALE DRAWING		SCALE 1:1	WEIGHT:	SHEET 1 OF 2

8

7

6

5

4

3

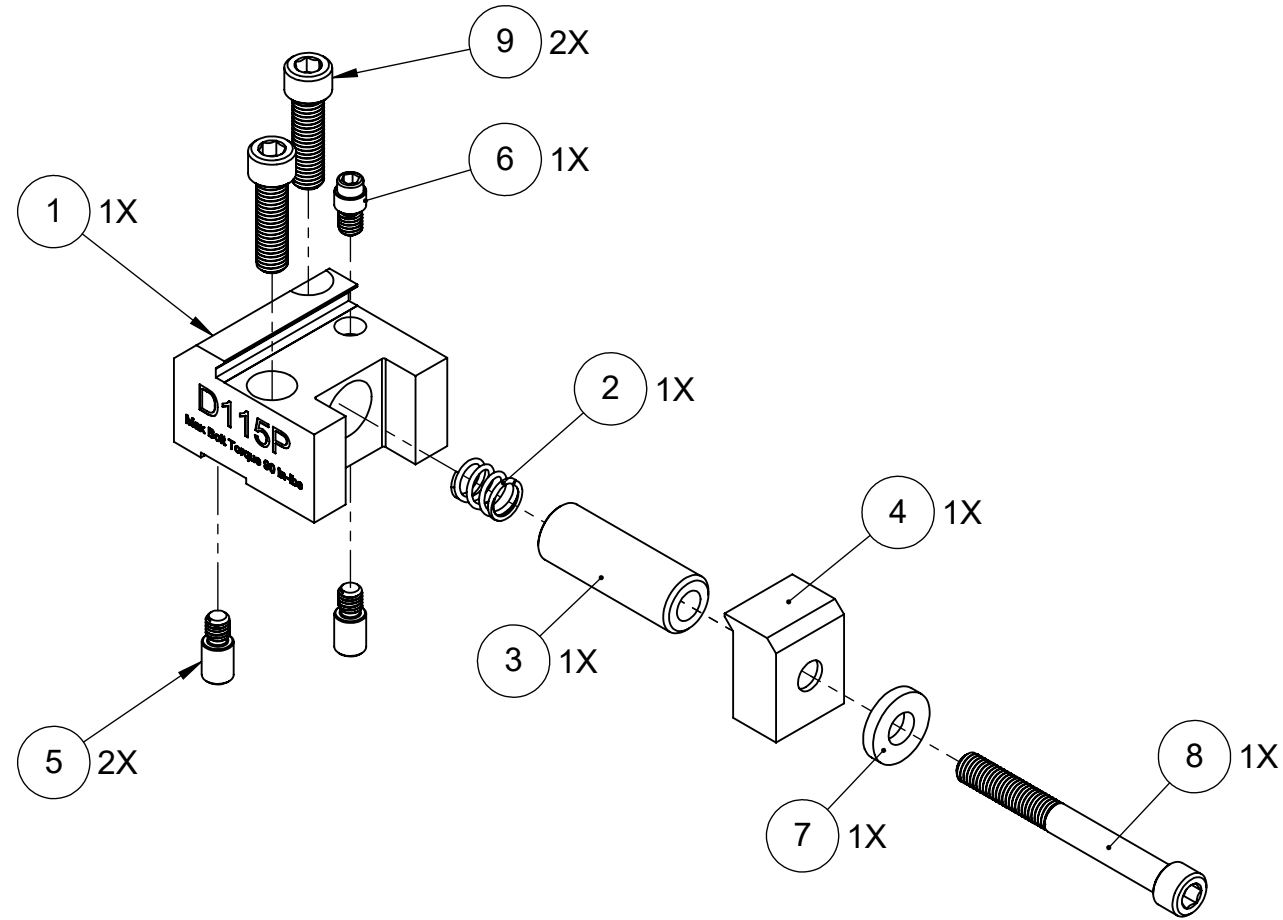
2

1

A


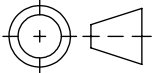
A

D115P



ITEM NO.	PART NUMBER	DESCRIPTION	QTY.
1	D115P-1	BASE, 1" X 1.5", PICATINNY, DOVETAIL FIXTURE	1
2	LC049E05M	SPRING, COMPRESSION, 0.360" OD X 0.688" LENGTH, K = 62.9 lb/in	1
3	SLD25	SLEEVE, 1/2" OD x 1.425", FOR 1/4" SCREW, DOVETAIL FIXTURE	1
4	CDS25	CLAMP BODY, SMALL, 1/4" SCREW, DOVETAIL FIXTURE	1
5	LP250	LOCATING PIN, .250" DIAMETER	2
6	LP250-208	LOCATING STEP PIN, .2500" TO .2075"	1
7	-	FLAT WASHER, 9/32" ID X 5/8" OD, 0.105-0.13" THICK, FOR 1/4" SCREW	1
8	-	SOCKET HEAD CAP SCREW, 1/4-28 X 2.25"	1
9	-	SOCKET HEAD CAP SCREW, 1/4-28 x 7/8"	2

FOR REFERENCE ONLY - NOT FOR RESALE

INCH			
WWW.5THAXIS.COM 7140 ENGINEER ROAD SAN DIEGO, CA 92111 P (858) 505-0432			
THIRD ANGLE PROJECTION		DESCRIPTION	REV
		DOVETAIL FIXTURE, PICATINNY	D115P B
SIZE	PART NO.	WEIGHT:	SHEET 2 OF 2
B	D115P		