

8

7

6

5

4

3

2

1

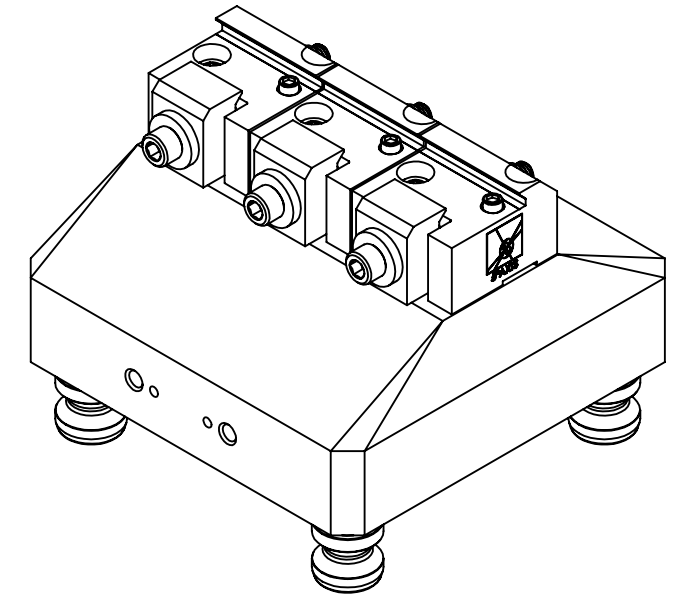
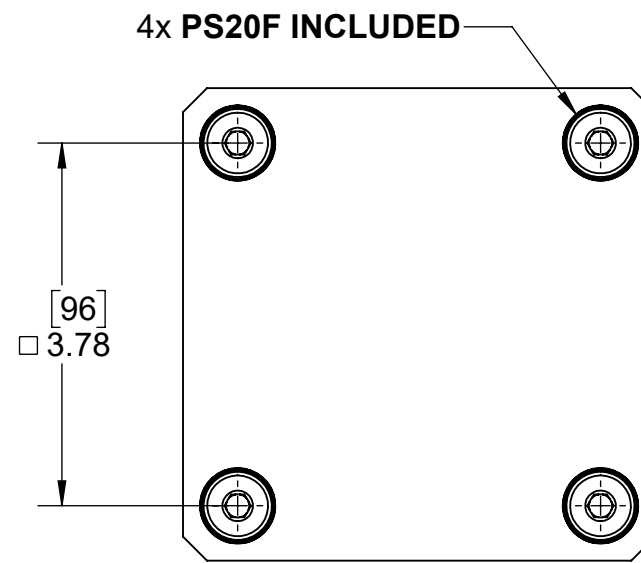
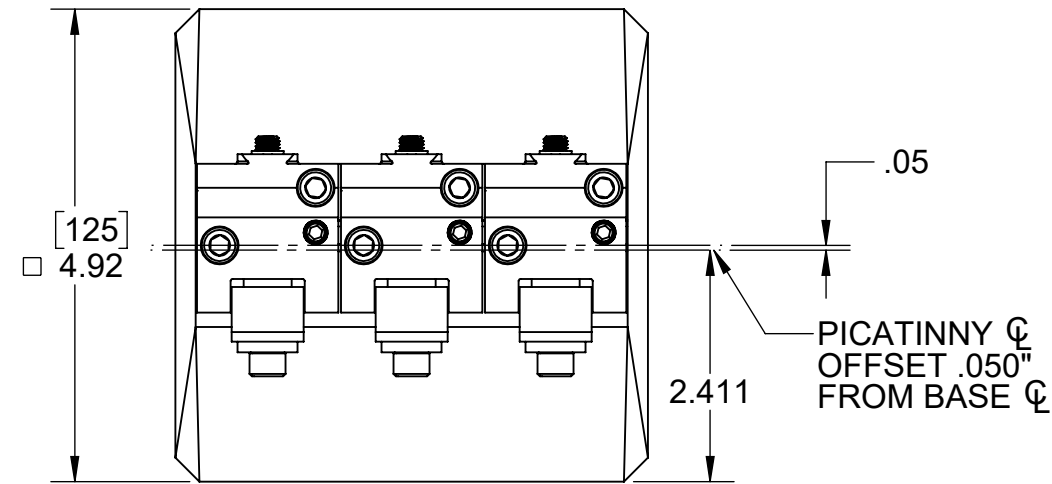
D

D

A96-3D115P

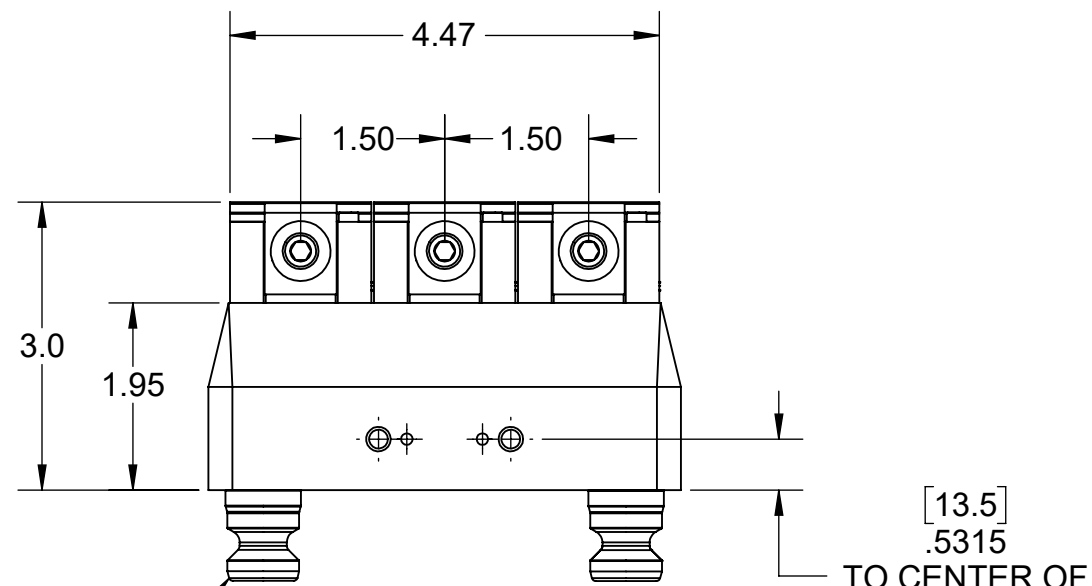
C

C



B


B



4x PS20F

A

A

INCH				
WWW.5THAXIS.COM 7140 ENGINEER ROAD SAN DIEGO, CA 92111 P (858) 505-0432				
THIRD ANGLE PROJECTION		DESCRIPTION	D115P PICATINNY TOP TOOLING	
SIZE	B	PART NO.	A96-3D115P	
DO NOT SCALE DRAWING		SCALE 1:2	WEIGHT:	SHEET 1 OF 2

8

7

6

5

4

3

2

1

8

7

6

5

4

3

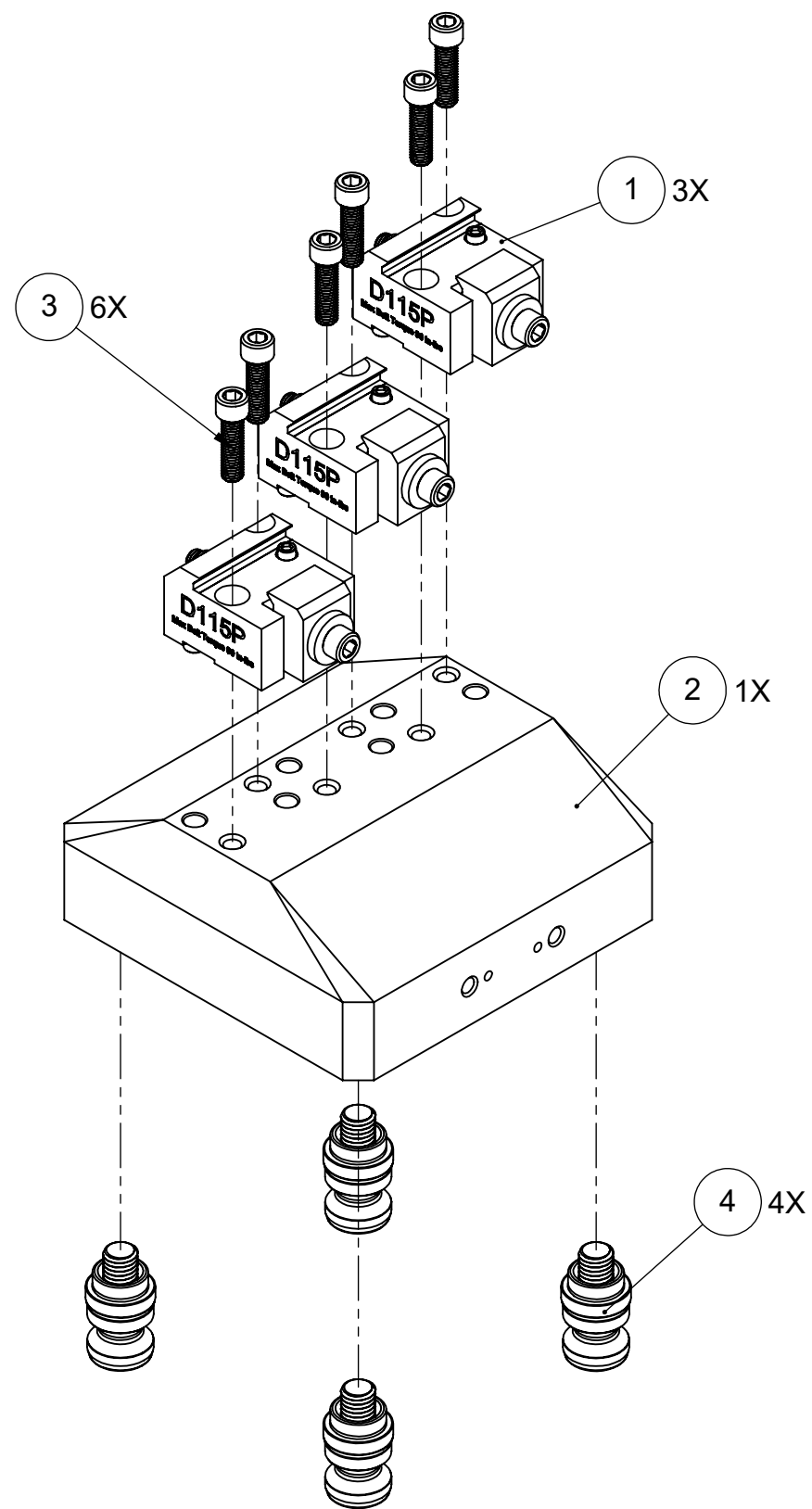
2

1

D

D

A96-3D115P



C

C


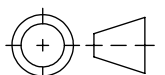
B

B

A

A

ITEM NO.	PART NUMBER	DESCRIPTION	QTY.
1	D115P	PICATINNY FIXTURE	3
2	A96-3D115-1	96MM ROCKLOCK, RISER, D115	1
3	-	SOCKET HEAD SCREW, 1/4"-28x1-7/8"	6
4	PS20F	96mm PULL STUD	4
FOR REFERENCE ONLY - NOT FOR RESALE			

INCH			
WWW.5THAXIS.COM		DESCRIPTION	
7140 ENGINEER ROAD SAN DIEGO, CA 92111 P (858) 505-0432		D115P PICATINNY TOP TOOLING	
THIRD ANGLE PROJECTION		SIZE	PART NO.
		B	A96-3D115P
DO NOT SCALE DRAWING		SCALE 1:2	WEIGHT:
SHEET 2 OF 2		REV B	

8

7

6

5

4

3

2

1